

# Addendum 02

DOCUMENT 00 9100

**DATE:** October 10, 2022

**PROJECT:** Riverside Local School District  
Central Office and Health Clinic Addition  
2096 County Road 24 S  
De Graff, Ohio 43318

**PROJECT #:** 22071-00

**OWNER:** Riverside Local School District  
Contact: Scott Mann  
2096 County Road 24 S  
De Graff, Ohio 43318

**ARCHITECT:** Garmann Miller  
38 South Lincoln Drive  
P.O. Box 71  
Minster, Ohio 45865

**TO:** Prospective Bidders

This addendum form is a part of the Contract Documents and modifies the Bidding Documents dated September 21, 2022 with amendments and additions noted below.

Acknowledge receipt of this Addendum on the Bid Form. Failure to do so may disqualify the Bidder.

This addendum consists of 2 pages and 2 re-issued drawing sheets.

## FOR INFORMATION ONLY

1. Question: Sheet A2.1 shows that the perimeter board runs up the foundation and then goes underneath the interior concrete slab, but I am not sure if it is just 1 sheet of the 2x24" board around the whole perimeter of the interior concrete slab or if the insulation board is supposed to be under the whole interior slab?
  - a. Answer: It is one sheet of 2x24 board insulation around the perimeter of the interior slab and one insulation board along the interior of the foundation wall. Please reference details 15 and 16 on sheet A0.2 for additional information.
2. Question: Are background checks required?
  - i. Answer: Background checks are not required.



3. Question: Who holds the current roof warranty and are we required to use the contractor that currently holds the roof warranty?
  - a. Answer: The Garland Company (Cleveland, Ohio) holds the current warranty. The low sloped roof was replaced in 2021. It is recommended to use The Garland Company for the low sloped roof scope of this project, but it is not required.
4. Question: No hardware sets are listed in the door schedule and there are no hardware specifications in the project documents. Please advise.
  - a. Answer: Section 08 71 00 Door Hardware was issued in Addendum 01. Additional door hardware information has been provided in this addendum. Please see information below and attachments.
5. Question: Could you clarify the asphalt mill / fill portion of the project? It says spec sheet, looks like mill off 2", tack, 2" asphalt. Then it talks about crack sealant and slurry, paving fabric, etc.? not sure what to include.
  - a. Answer: Crack sealant, slurry and fabric not needed. Those paragraphs of the specification section will be deleted. See revisions below for more information
6. Question: Is the site post and panel signage (shown on sheet L2.1) supposed to be ¼" or ½" thick?
  - a. Answer: Post and panel signage to be ¼" thick.

### **CHANGES TO THE PROJECT MANUAL**

1. Section 10 26 00 Wall and Door Protection, Article 2.02 Manufacturers, Paragraph A Corner Guards: Add "Pawling Corporation, Pro-Tek - Wall Protection Systems, CG-12 Corner Guard" as an acceptable manufacturer.
2. Section 10 26 23 Protective Wall Covering, Article 2.02 Manufacturers, Paragraph B Sheet Wall Protection: Add "Pawling Corporation, Pro-Tek - Wall Protection Systems, WC-40 Wall Covering" as an acceptable manufacturer.
3. Section 32 12 16 Asphalt Paving, Article 3.04 Crack Treatment, Paragraphs A through C to be deleted from the specification section.

### **CHANGES TO THE DRAWINGS**

1. Add drawing Sheet E1.3 EAC Security Elevations in its entirety. Reference sheet attached.
2. Add drawing Sheet E1.4 EAC Security Elevations in its entirety. Reference sheet attached.

### **ATTACHMENTS**

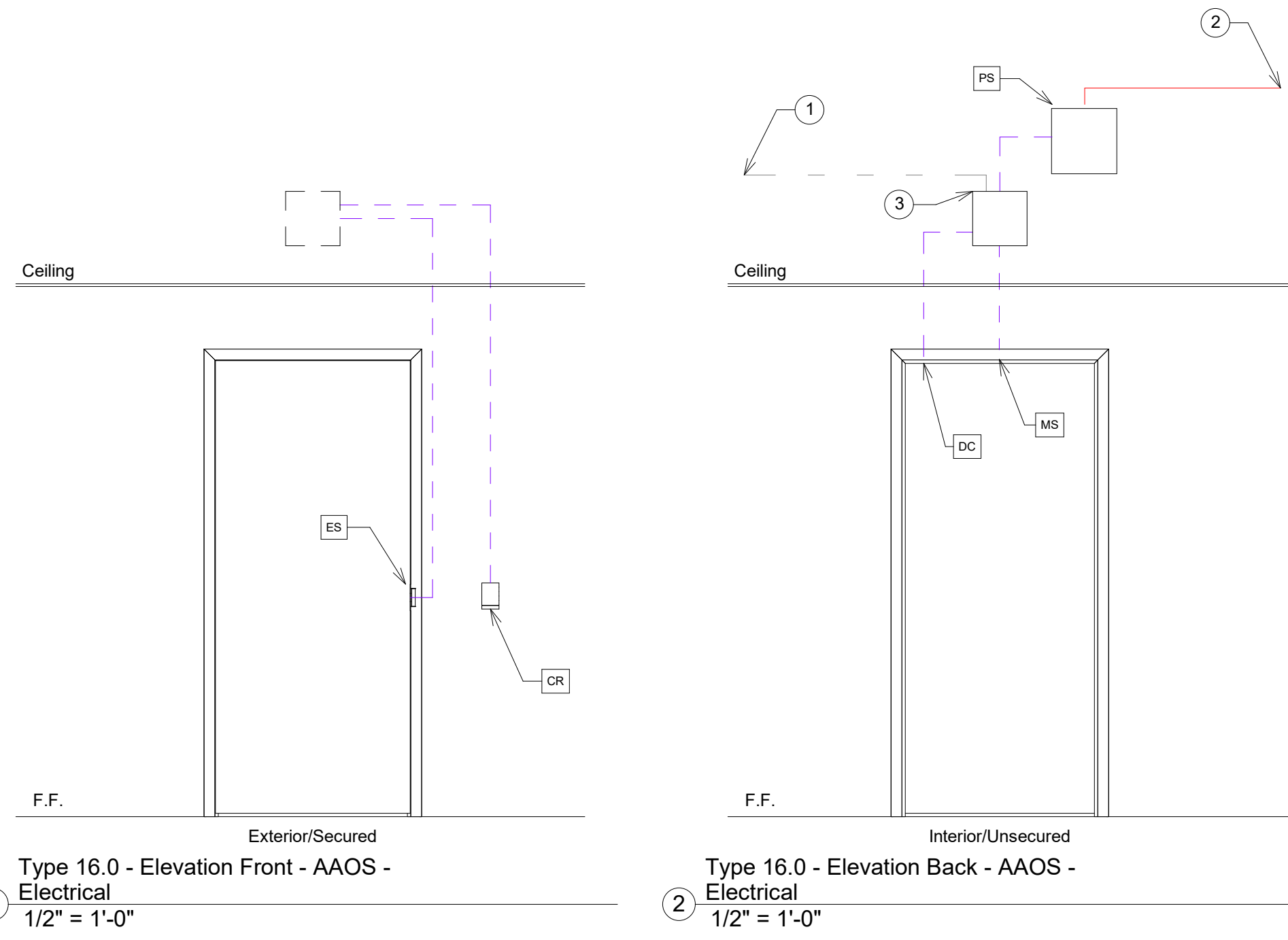
The following attachments are included and are part of this addendum:

Drawing Sheets E1.3 and E1.4

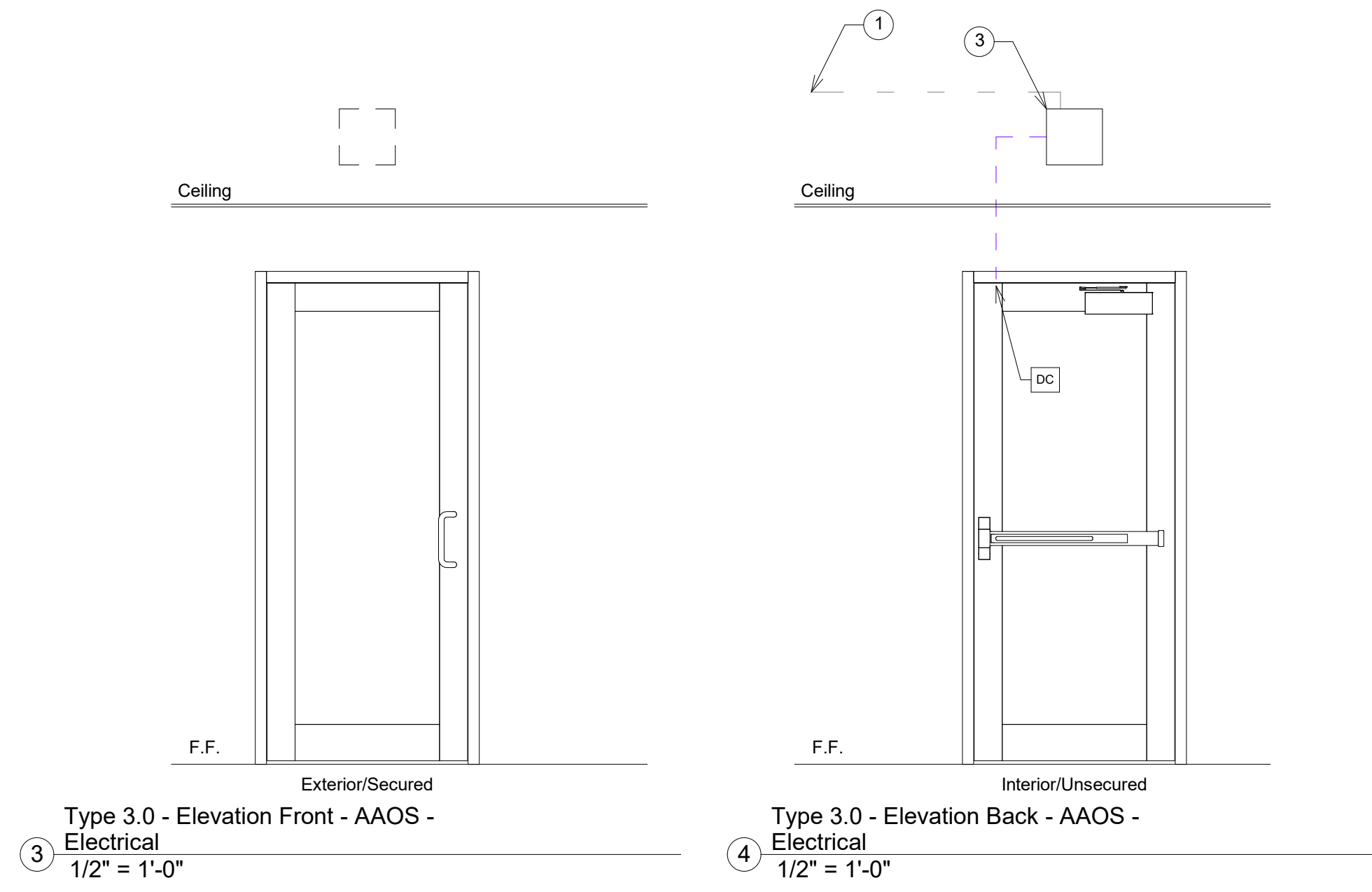
### **END OF ADDENDUM**



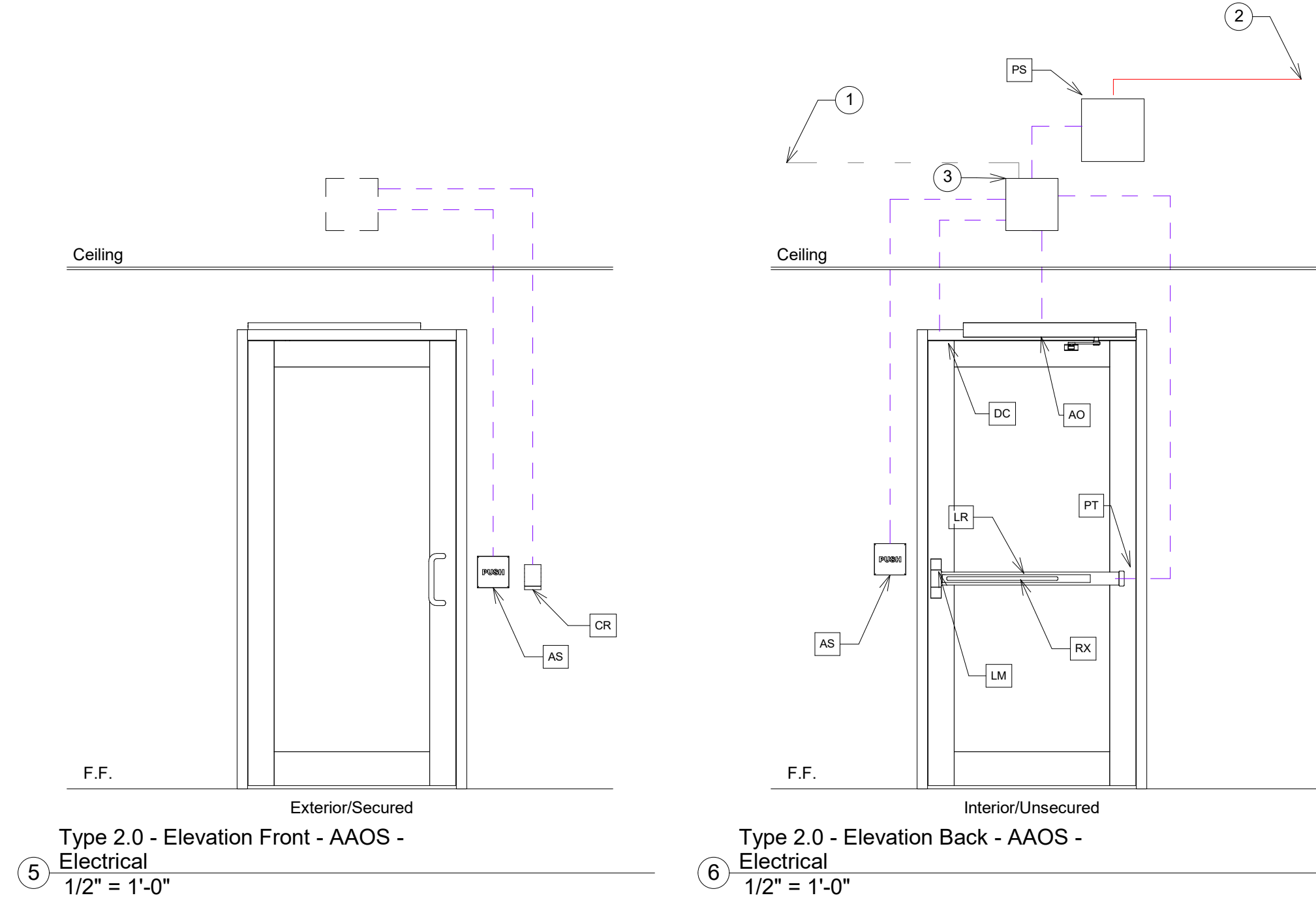
**Type 16.0**



**Type 3.0**



**Type 2.0**



DOOR HARDWARE MATERIAL LIST

QTY	SYM	DESCRIPTION	MANUFACTURER	MODEL
1	ES	Electric Strike	HS	4500C
1	DC	Position Switch	SU	MSS-1
1	MS	Motion Sensor	SU	XMS
1	PS	Power Supply	SU	- Provided by Security Contractor
1	CR	Card Reader	00	- Provided by Security Contractor

Notes:  
\*\* Confirm compatibility of existing door and frame preparations with listed hardware, on site, prior to submittal of hardware schedule.  
Door normally closed and locked. Valid use of card reader outside temporarily unlocks electric strike permitting access. Key override outside retracts latch bolt. Motion sensor mounted on egress side of door as request to exit for shunting of door monitoring upon egress. Free egress always permitted.

KEYED NOTES:  
1 To Access Control Panel  
2 To Source Power  
3 Junction box by Division 26

DOOR HARDWARE MATERIAL LIST

QTY	SYM	DESCRIPTION	MANUFACTURER	MODEL
1	DC	Position Switch	SU	DPS-M-BK

Notes:  
Function: Key outside retracts latch bolt. Keyed cylinder inside controls latch bolt dogging. Free egress always permitted.

KEYED NOTES:  
1 To Access Control Panel  
3 Junction box by Division 26

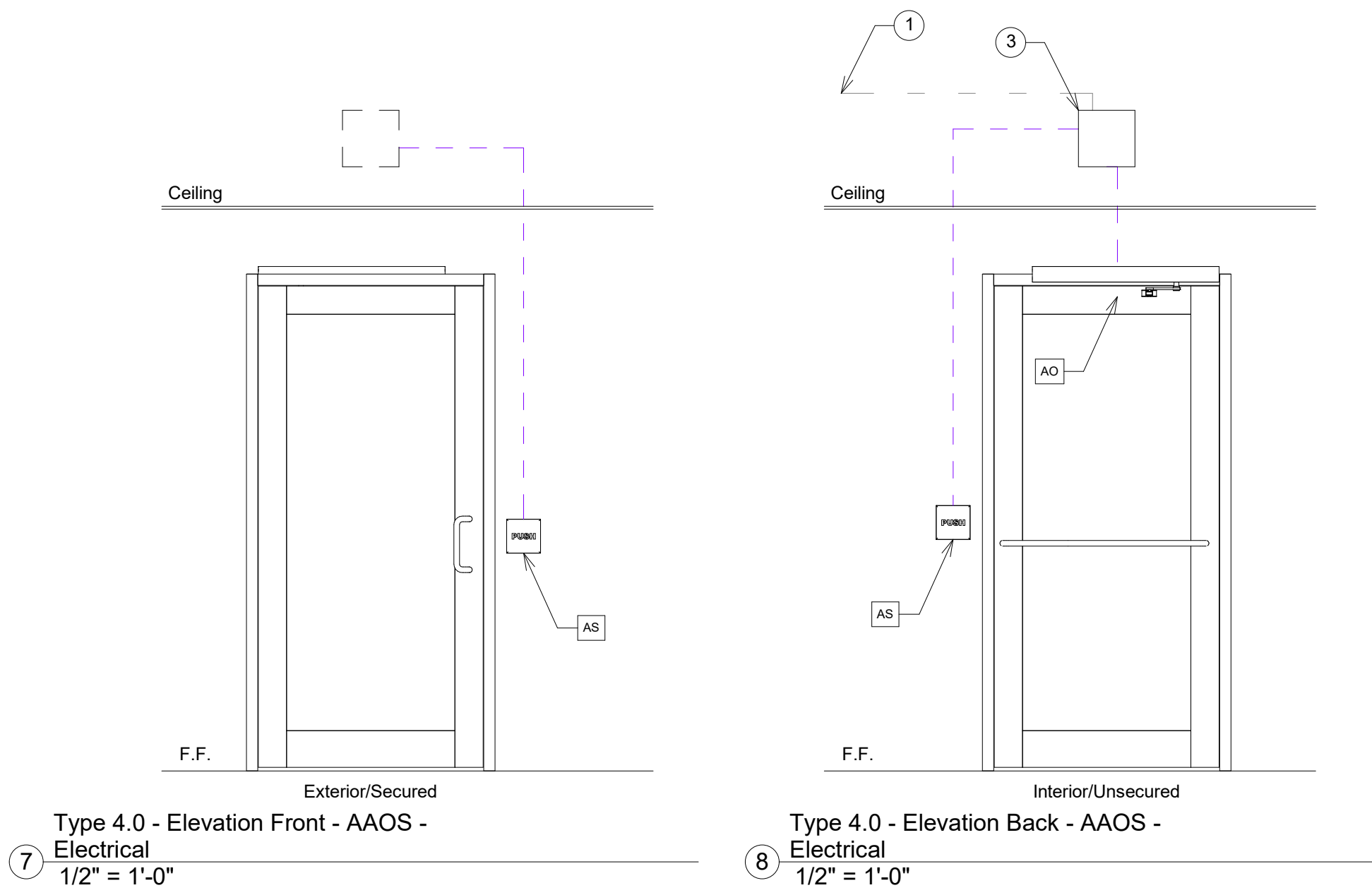
DOOR HARDWARE MATERIAL LIST

QTY	SYM	DESCRIPTION	MANUFACTURER	MODEL
1	PT	Electric Power Transfer	SU	EL-CEPT
1	LR/RX/LM	Rim Exit Device, Storeroom	SA	16 43 55 56 63 8804 Less Pull GMK
1	AO	Automatic Opener	NO	6021/6031 (D) - confirm head detail
2	AS	Door Switch	NO	505 (6" x 6")
1	DC	Position Switch	SU	DPS-M-BK
1	PS	Power Supply	SU	- Provided by Security Contractor
1	CR	Card Reader	00	- Provided by Security Contractor

Notes:  
Door normally closed and locked. Key override outside retracts latch bolt of exit device. Valid use of card reader outside will electronically retract latch of exit device. Outside ADA actuator switch will not cycle automatic operator unless latch bolt is retracted. Inside ADA actuator switch automatically retracts latch of exit device and cycles automatic operator. Free egress always permitted.

KEYED NOTES:  
1 To Access Control Panel  
2 To Source Power  
3 Junction box by Division 26

**Type 4.0**

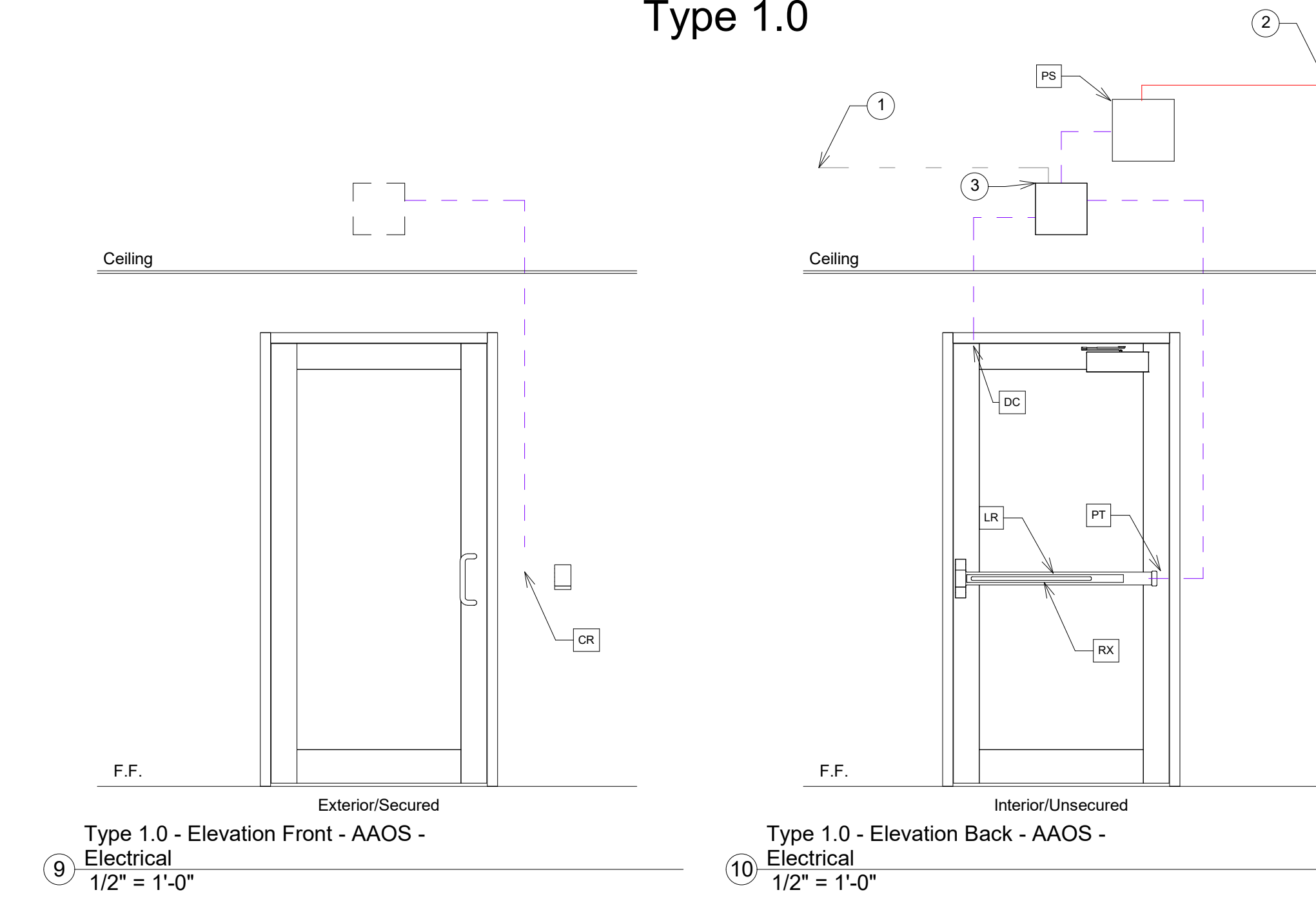


DOOR HARDWARE MATERIAL LIST

QTY	SYM	DESCRIPTION	MANUFACTURER	MODEL
1	AO	Automatic Opener	NO	6021/6031 (D) - confirm head detail
2	AS	Door Switch	NO	505 (6" x 6")

KEYED NOTES:  
1 To Access Control Panel  
3 Junction box by Division 26

**Type 1.0**



Application: Card Reader - Aluminum / Glass Door - single

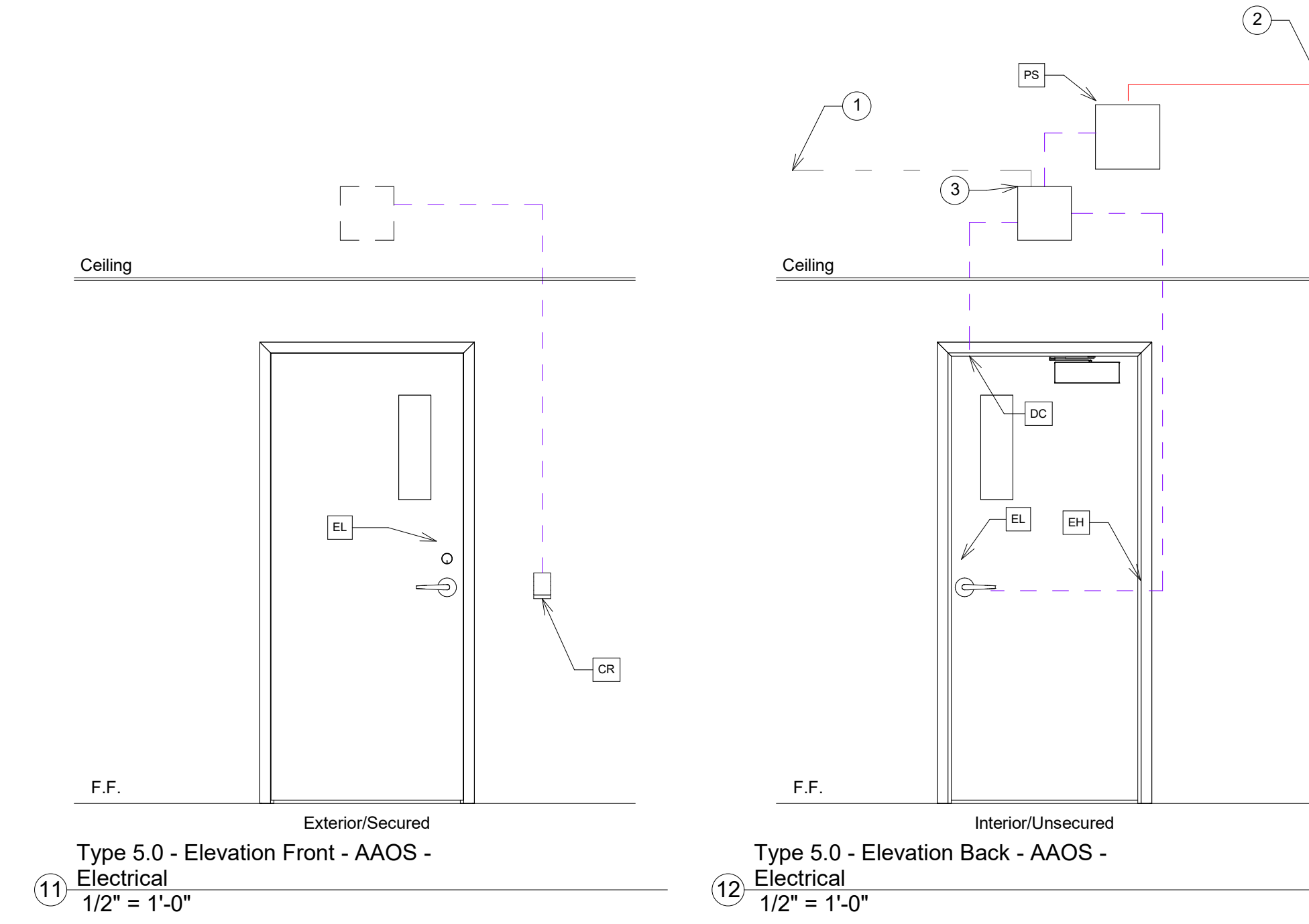
DOOR HARDWARE MATERIAL LIST

QTY	SYM	DESCRIPTION	MANUFACTURER	MODEL
1	PT	Electric Power Transfer	SU	EL-CEPT
1	LR/RX	Rim Exit Device, Storeroom	SA	16 43 55 56 63 8804 Less Pull GMK
1	DC	Position Switch	SU	DPS-M-BK
1	PS	Power Supply	SU	- Provided by Security Contractor
1	CR	Card Reader	00	- Provided by Security Contractor

Notes:  
Door normally closed and locked. Key override outside retracts latch bolt of exit device. Valid use of card reader outside will electronically retract latch of exit device. Outside ADA actuator switch will not cycle automatic operator unless latch bolt is retracted. Inside ADA actuator switch automatically retracts latch of exit device and cycles automatic operator. Free egress always permitted.

KEYED NOTES:  
1 To Access Control Panel  
2 To Source Power  
3 Junction box by Division 26

**Type 5.0**



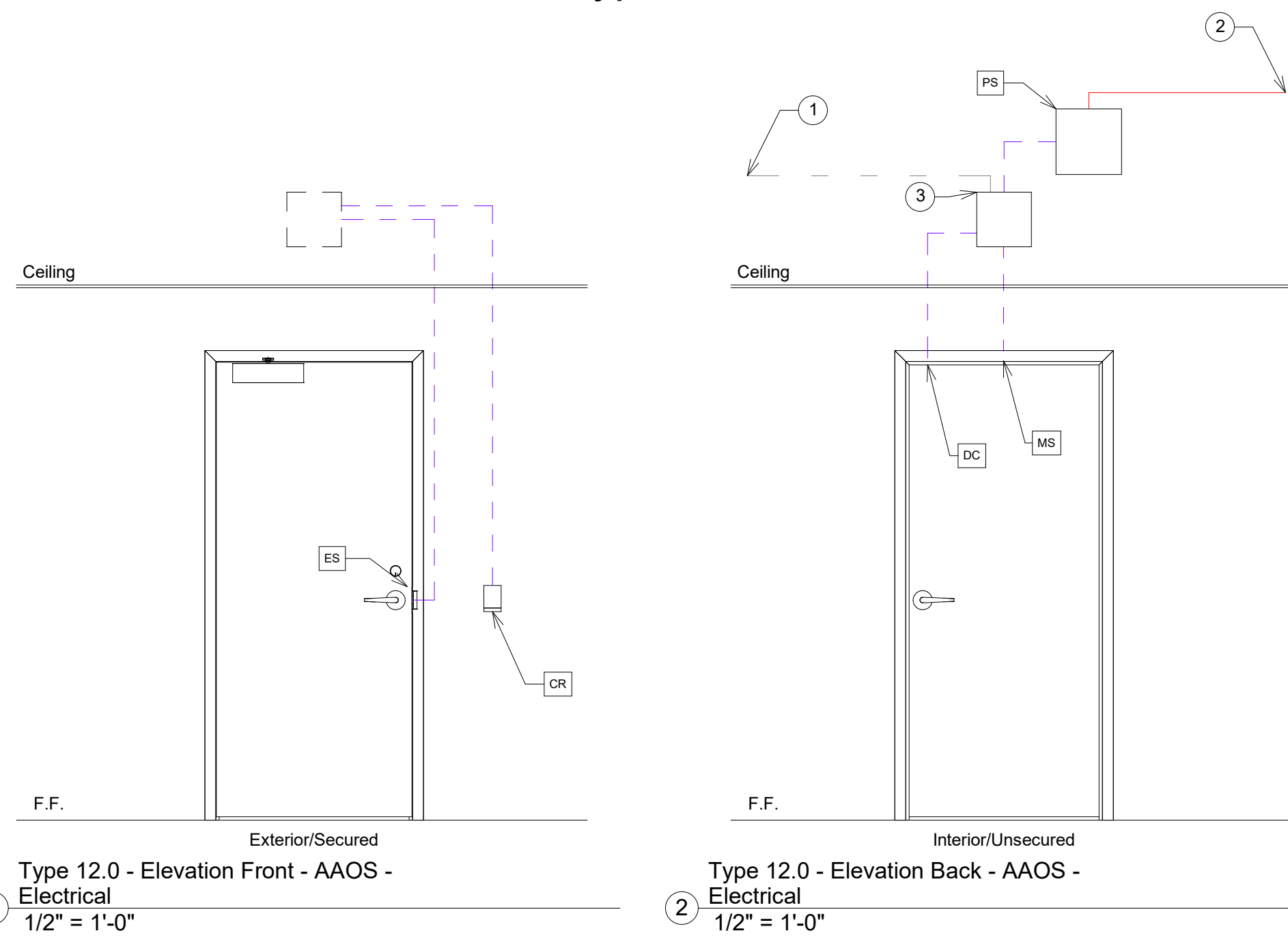
DOOR HARDWARE MATERIAL LIST

QTY	SYM	DESCRIPTION	MANUFACTURER	MODEL
1	EH	Hinge (heavy weight)	MK	T4A3786 x QC12
1	EL	Fail Safe Lock	SA	63 8270 LNJ GMK
1	DC	Position Switch	SU	DPS-M-BK
1	PS	Power Supply	SU	- Provided by Security Contractor
2	CR	Card Reader	00	- Provided by Security Contractor

Notes:  
Door normally closed and locked. Fail safe lockset - Both levers rigid except when valid user credential presented either side of door. Key override either side retracts latchbolt. Valid use of card reader located on either side of door temporarily unlocks lever to allow passage through door. Both levers are unlocked immediately upon loss of power or activation of fire alarm system.

KEYED NOTES:  
1 To Access Control Panel  
2 To Source Power  
3 Junction box by Division 26

## Type 12.0



DOOR HARDWARE MATERIAL LIST

QTY	SYM	DESCRIPTION	MANUFACTURER	MODEL
1	ES	Electric Strike	HS	4500C
1	DC	Position Switch	SU	DPS-M-BK
1	MS	Motion Sensor	SU	XMS
1	PS	Power Supply	SU	- Provided by Security Contractor
1	CR	Card Reader	00	- Provided by Security Contractor

Notes:  
 Door normally closed and locked. Authorized use of card reader outside temporarily unlocks electric strike permitting access. Key override outside retracts latch bolt.  
 Motion sensor mounted on egress side of door as request to exit for shunting of door monitoring upon egress.  
 Free egress always permitted.

- KEYED NOTES:  
 1 To Access Control Panel  
 2 To Source Power  
 3 Junction box by Division 26



ADDITION AND RENOVATION TO  
**RIVERSIDE LOCAL SCHOOL DISTRICT  
 CENTRAL OFFICE AND HEALTH CLINIC**  
 IN PARTNERSHIP WITH COMMUNITY HEALTH AND WELLNESS PARTNERS  
 2006 COUNTY ROAD 24 S., DE GRABT, OHIO 43118

ISSUANCES/REVISIONS	
Addendum 02	10/10/2022

PROJECT NUMBER:	DRAWN BY:	CHECKED BY:
22071.00	CTM	CM

SHEET TITLE:  
**EAC SECURITY  
 ELEVATIONS**

SHEET NUMBER:  
**E1.4**