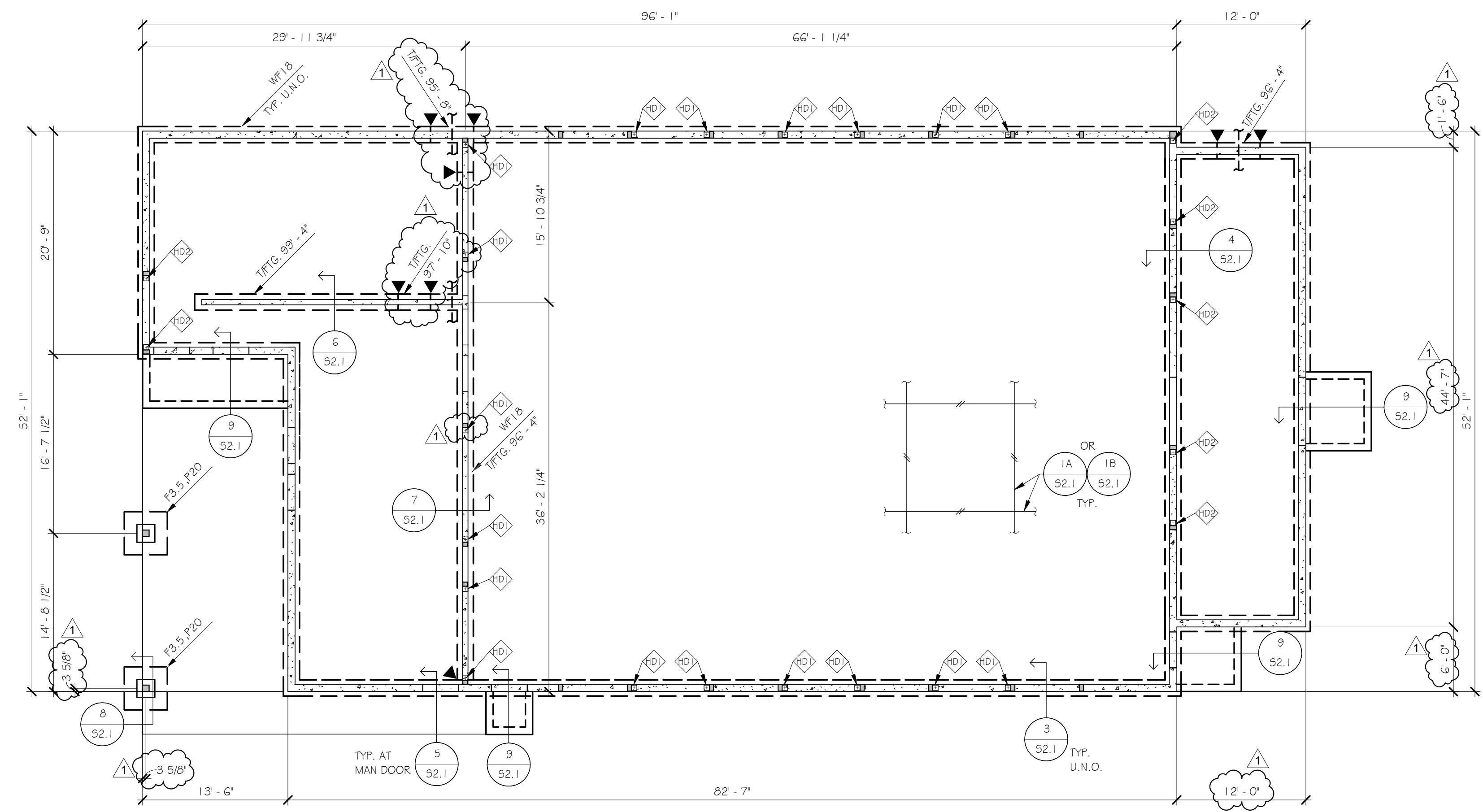


ANTWERP LOCAL SCHOOLS - THE RANGE WELLNESS AND RECREATION CENTER

NEW BUILDING FOR

381 SOUTH HANSHAM ROAD, ANTIWERP, OHIO 43003



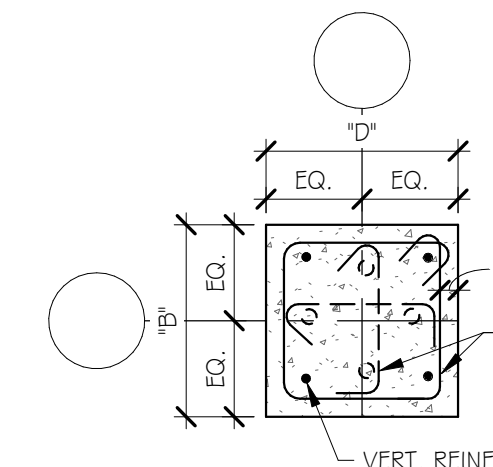
**A FOUNDATION PLAN**  
1/8" = 1'-0"

FOUNDATION PLAN NOTES

- COORDINATE ALL DIMENSIONS WITH ARCHITECTURAL DRAWINGS. SEE ARCHITECTURAL DRAWINGS FOR DIMENSIONS NOT SHOWN.
- SLAB CONSTRUCTION: 4" THICK CONCRETE SLAB-ON-GROUND REINFORCED WITH #4-W1.4' W1.4 W.W.R. AT MID-DEPTH OVER COMPACTED AGGREGATE SUB-BASE PER THE GEOTECHNICAL REPORT. SEE ARCHITECTURAL DRAWINGS FOR MINOR DEPRESSIONS AND SLOPES TO DRAINS. MAINTAIN A MINIMUM 4" SLAB THICKNESS THROUGHOUT.
- PROVIDE CONTRACTION JOINTS AND/OR CONSTRUCTION JOINTS IN INTERIOR CONCRETE SLABS-ON-GROUND PER DETAILS 1A&2.1 OR 1B&2.1 AT EVEN INTERVALS NOT EXCEEDING 12'-0" ON CENTER, EACH WAY.
- TOP OF SLAB ELEVATION (TSLAB) = 100'-0" TYPICAL, UNLESS NOTED OTHERWISE.
- TOP OF EXTERIOR FOOTING ELEVATION (TFTG) = 97'-0" TYPICAL, UNLESS NOTED OTHERWISE. TOP OF INTERIOR FOOTING ELEVATION (TFTG) = 99'-4" TYPICAL, UNLESS NOTED OTHERWISE.
- TOP OF PIER (TPIER) = 99'-4" TYPICAL, UNLESS NOTED OTHERWISE.
- UNLESS DIMENSIONED OTHERWISE, CENTER ALL WALL FOOTINGS UNDER CAST-IN-PLACE FOUNDATION WALLS AND CENTER ALL PIERS AND COLUMN FOOTINGS UNDER COLUMNS.
- PLAN DIMENSIONS AT EXTERIOR WALLS ARE TO OUTSIDE FACE OF FOUNDATION WALL. PLAN DIMENSIONS AT INTERIOR WALLS ARE TO CENTERLINE OF FOUNDATION WALL.
- STOP FOUNDATION WALL 6" BELOW TOP OF SLAB ELEVATION AT DOORS IN EXTERIOR WALLS PER 5/5.2.1. SEE ARCHITECTURAL DRAWINGS FOR DOOR LOCATIONS.
- SEE THIS SHEET FOR FOOTING AND PIER SCHEDULES.
- SEE SHEETS 50.1 AND 50.2 FOR STRUCTURAL NOTES AND TABLES, RESPECTIVELY.
- WHERE SHEAR WALLS ARE INDICATED ON PLAN, SEE THE SHEAR WALL SCHEDULE ON SHEET 51.2 FOR SHEAR WALL CONSTRUCTION AND FASTENING. SEE HOLDOWN SCHEDULE ON THIS SHEET FOR ANCHORING. SEE SECTION 3/5.3.1 FOR ADDITIONAL INFORMATION.
- PROVIDE STEP IN FOUNDATION ELEVATION PER 2/5.2.1 WHERE INDICATED ON PLAN:  $\blacktriangleright$  -).

FOOTING SCHEDULE		
MARK	SIZE	REINFORCING
WF1.0	18" WIDE x 12" DEEP	(2) #5 CONF. U.N.O.
WF3.5	42" SQ. x 12" DEEP	(3) #5 EA. WAY

CONCRETE PIER SCHEDULE		
MARK	SIZE (B x D)	REINFORCING
F2.0	20" SQ.	(6) #5 VERT. W/ #3 TIES AT 1'0" O.C.



**I CONCRETE PIER DETAILS**  
3/4" = 1'-0"

HOLDOWN SCHEDULE			
MARK	TYPE	STUD FASTENERS	ANCHOR ROD
HD1	HDU6-SD52.5	(20) 1/4" DIA. x 2 1/2" SDS	7/8" DIA.
HD2	HDU11-SD52.5	(30) 1/4" DIA. x 2 1/2" SDS	1" DIA.

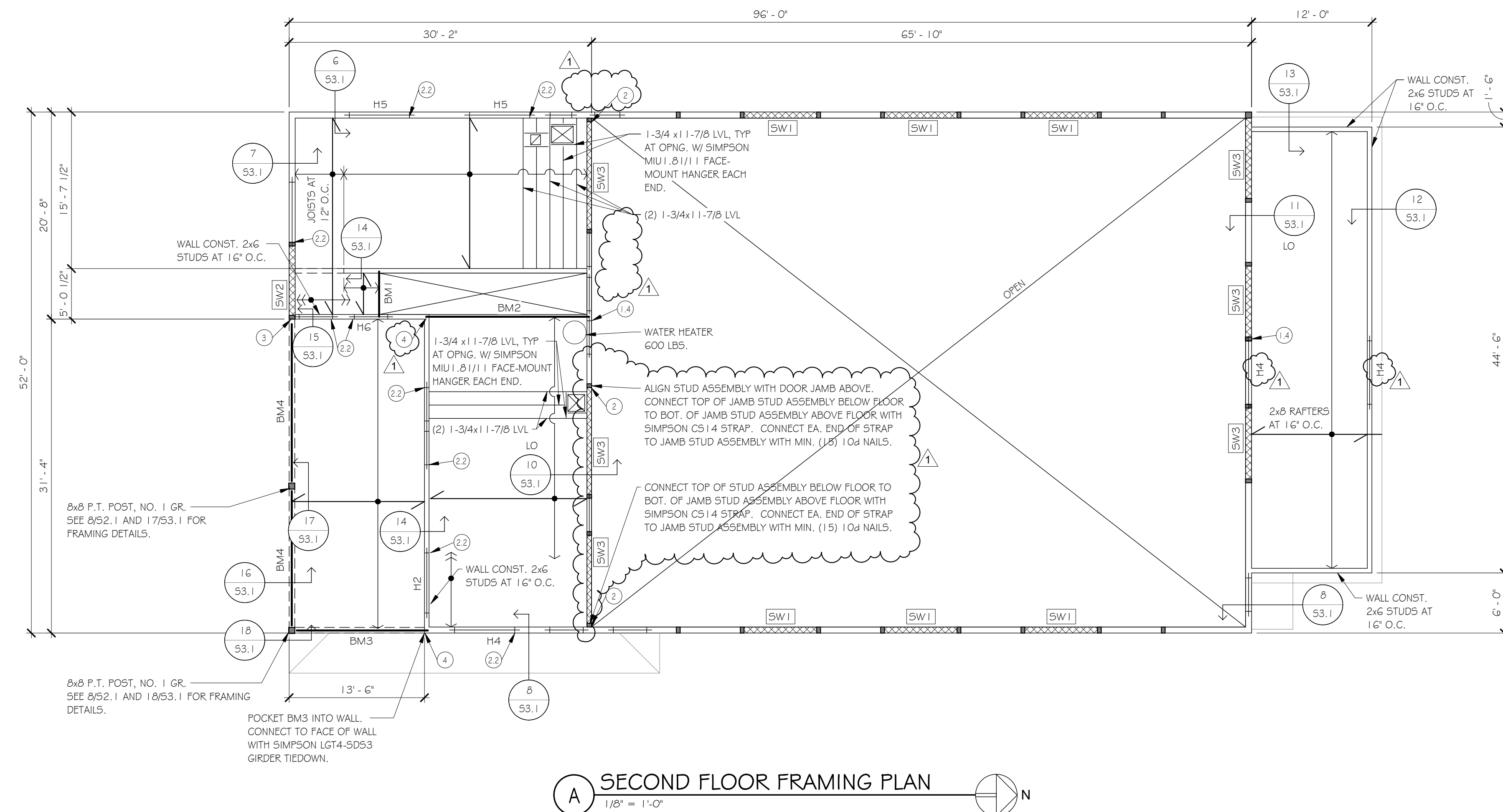
- HOLDOWN NOTES
- HOLDOWN MODELS ARE INDICATED BY SIMPSON STRONG-TIE.
  - SEE SECTION 3/5.3.1 FOR ANCHORAGE REQUIREMENTS.

ISSUANCES/REVISIONS	
REV SET	07/12/2023
1 ADDENDUM #01	07/26/2023

PROJECT NUMBER:	DRAWN BY:	CHECKED BY:
22104.00	WH	JMB

SHEET TITLE:  
**FOUNDATION PLAN**

SHEET NUMBER:  
**S1.1**



SECOND FLOOR FRAMING PLAN NOTES

- COORDINATE ALL DIMENSIONS WITH ARCHITECTURAL DRAWINGS. SEE ARCHITECTURAL DRAWINGS FOR DIMENSIONS NOT SHOWN.
- FLOOR CONSTRUCTION: 3/4" THICK (NOMINAL) WOOD STRUCTURAL PANEL SHEATHING OVER 1 1/2" RED-BROWN FLOOR JOISTS SPACED AT 16" O.C., TYP. U.N.O. COORDINATE JOIST LOCATIONS WITH MECHANICAL EQUIPMENT AND DUCTWORK LAYOUT.
- JOIST BEARING ELEVATION (JOIST BRG.) = 105'-11.3/8" TYPICAL AT SECOND FLOOR, UNLESS NOTED OTHERWISE.
- TYPICAL EXTERIOR BEARING WALL CONSTRUCTION: 2 x 8 STUDS SPACED AT 16" ON CENTER, UNLESS NOTED OTHERWISE. TYPICAL INTERIOR BEARING WALL CONSTRUCTION: 2 x 6 STUDS SPACED AT 16" ON CENTER, UNLESS NOTED OTHERWISE. ALL HEADERS OVER OPENINGS IN 2 x 8 STUD WALLS SHALL BE H1 HEADERS, UNLESS NOTED OTHERWISE. ALL HEADERS OVER OPENINGS IN 2 x 6 STUD WALLS SHALL BE H3 HEADERS, UNLESS NOTED OTHERWISE. SEE THIS SHEET FOR HEADER SCHEDULE AND ADDITIONAL INFORMATION. SEE 503.1 FOR TYPICAL WALL FRAMING ELEVATION.
- PROVIDE A MINIMUM OF TWO JACK BEARING STUDS AT ALL BEAM AND GIRDER TRUSS SUPPORTS. IN ALL CASES, PROVIDE AT LEAST AS MANY STUDS AS REQUIRED TO MATCH OR EXCEED THE WIDTH OF THE SUPPORTED MEMBER ABOVE. PROVIDE A MINIMUM OF ONE JACK BEARING STUD AND TWO FULL-HEIGHT KING STUDS AT EACH END OF HEADER MEMBERS, TYPICAL UNLESS NOTED OTHERWISE.
- (X) "X" INDICATES NUMBER OF JACK BEARING STUDS AT EACH END OF BEAMS OR GIRDER TRUSSES.  
(X,Y) OR (X,Y,Z) "X" INDICATES NUMBER OF JACK BEARING STUDS AT EACH END OF HEADER MEMBERS.  
"Y" INDICATES NUMBER OF FULL-HEIGHT KING STUDS AT EACH END OF HEADER MEMBERS.  
"Z" INDICATES NUMBER OF FULL-HEIGHT KING STUDS BETWEEN ENDS OF ADJACENT HEADERS AND BETWEEN SETS OF ADJACENT JACK STUDS.
- ( ) INDICATES SPAN DIRECTION OF FLOOR JOISTS.
- △ DIMENSIONS TO EXTERIOR STUD WALLS INDICATED ON PLAN ARE TO OUTSIDE FACE OF STUD.
- △ DIMENSIONS TO INTERIOR STUD WALLS INDICATED ON PLAN ARE TO FACE OF STUD.
- WHERE SHEAR WALLS ARE INDICATED ON PLAN, SEE THE SHEAR WALL SCHEDULE ON THIS SHEET FOR SHEAR WALL CONSTRUCTION AND FASTENING. SEE HOLDOWN SCHEDULE ON SHEET 5.1.1 FOR ANCHORING. SEE SECTION 303.1 FOR ADDITIONAL INFORMATION.
- SEE FOUNDATION PLAN NOTES ON SHEET 5.1.1 FOR ADDITIONAL INFORMATION.
- SEE ROOF FRAMING PLAN NOTES ON SHEET 5.1.3 FOR ADDITIONAL INFORMATION.
- SEE SHEETS 50.1 AND 50.2 FOR STRUCTURAL NOTES AND TABLES, RESPECTIVELY.
- SEE THIS SHEET FOR BEAM SCHEDULE.

HEADER SCHEDULE

MARK	SIZE
H1	(4) 2x8
H2	(3) 1-3/4x9-1/4" LVL
H3	(3) 2x6
H4	(4) 2x10
H5	(4) 1-3/4x9-1/4" LVL
H6	(3) 2x12

BEAM SCHEDULE

MARK	SIZE
BM1	(2) 1-3/4x11-7/8" LVL
BM2	(3) 1-3/4x11-7/8" LVL
BM3	(4) 1-3/4x11-7/8" LVL
BM4	(4) 1-3/4x11-7/8" LVL

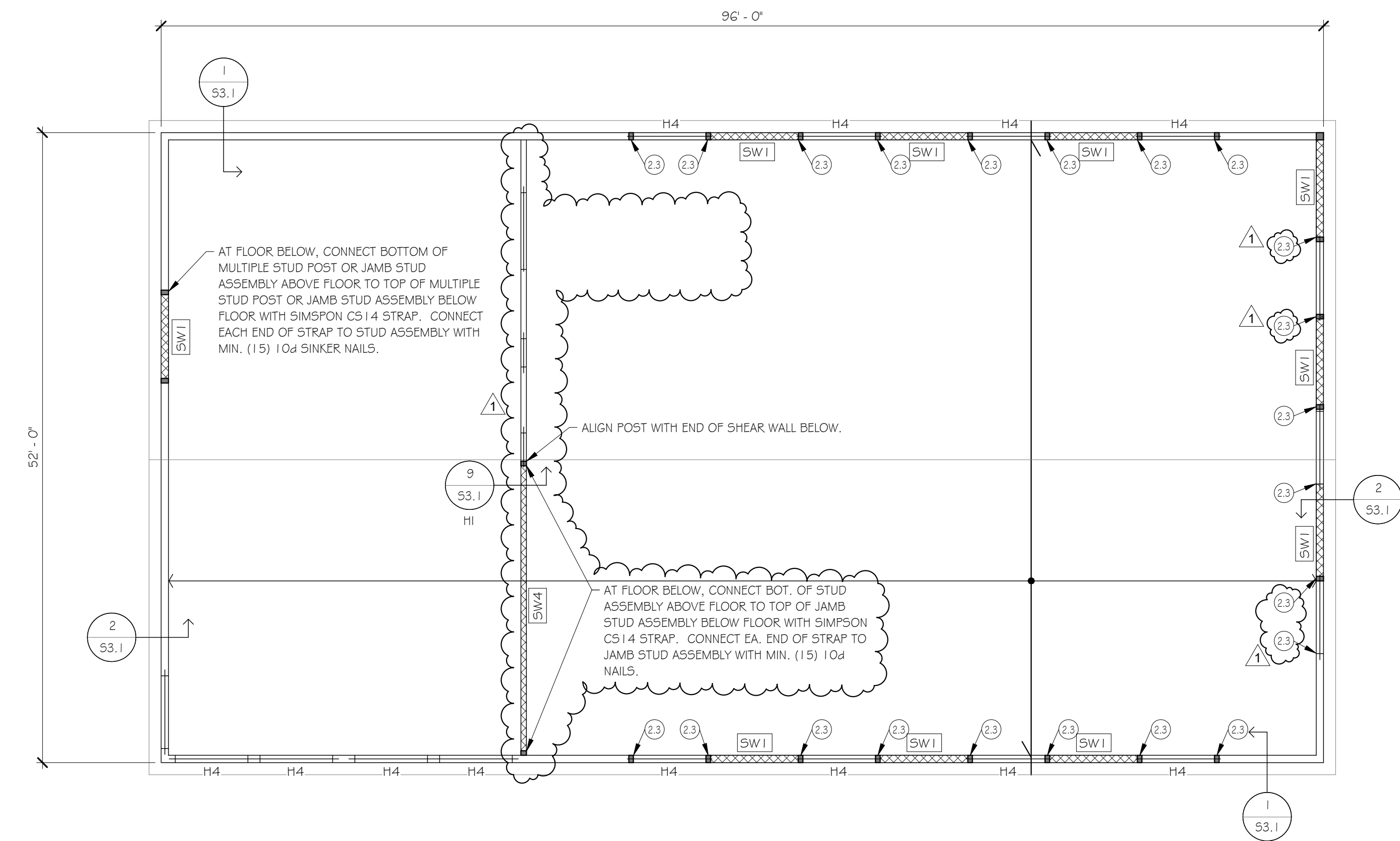
SHEAR WALL SCHEDULE

MARK	SHEATHING APPLICATION	SHEATHING TYPE AND THICKNESS	PANEL EDGES	FASTENER	NAIL SPACING		DESIGN CAPACITY (WIND-ALLOW.)
					EDGE	FIELD	
SW1	ONE SIDE	15/32" APA RATED	BLOCKED	10d NAILS	6"	12"	400 PLF
SW2	ONE SIDE	15/32" APA RATED	BLOCKED	10d NAILS	4"	12"	593 PLF
SW3	BOTH SIDES	5/8" GYPSUM WALLBOARD	BLOCKED	G4 COOLER NAILS	4"	12"	350 PLF
SW4	BOTH SIDES	5/8" GYPSUM WALLBOARD	BLOCKED	G4 COOLER NAILS	7"	12"	290 PLF

SHEAR WALL NOTES:

- LOCATE ALL PANEL EDGES ON STUDS, FULL-DEPTH BLOCKING OR TOP/BOTTOM PLATES.
- PROVIDE MULTIPLE STUDS AND HOLDDOWNS AT ENDS OF SHEAR WALLS PER FRAMING PLANS, FOUNDATION PLAN AND SECTION 303.1.





**A ROOF FRAMING PLAN**  
1/8" = 1'-0"

ROOF FRAMING PLAN NOTES

- COORDINATE ALL DIMENSIONS WITH ARCHITECTURAL DRAWINGS. SEE ARCHITECTURAL DRAWINGS FOR DIMENSIONS NOT SHOWN.
- ROOF CONSTRUCTION: 5/8" THICK (NOMINAL) WOOD STRUCTURAL PANEL SHEATHING OVER PRE-ENGINEERED ROOF TRUSSES SPACED AT 24" ON CENTER. SEE STRUCTURAL NOTES ON SHEET 50.1 FOR FASTENING OF SHEATHING TO TRUSSES. SEE ARCHITECTURAL DRAWINGS FOR ROOF SLOPES, TRUSS HEEL HEIGHTS AND RELATED INFORMATION.
- TRUSS BEARING ELEVATION (TRUSS BRG.) = 120'-0", TYPICAL, UNLESS NOTED OTHERWISE.
- TYPICAL EXTERIOR BEARING WALL CONSTRUCTION: 2 x 8 STUDS SPACED AT 16" ON CENTER, UNLESS NOTED OTHERWISE. ALL HEADERS OVER OPENINGS IN 2 x 8 STUD WALLS SHALL BE H1 HEADERS, UNLESS NOTED OTHERWISE. SEE THIS SHEET FOR HEADER SCHEDULE. SEE 453.1 FOR TYPICAL WALL FRAMING ELEVATION.
- PROVIDE A MINIMUM OF TWO JACK BEARING STUDS AT ALL BEAM AND GIRDER TRUSS SUPPORTS. IN ALL CASES, PROVIDE AT LEAST AS MANY STUDS AS REQUIRED TO MATCH OR EXCEED THE WIDTH OF THE SUPPORTED MEMBER ABOVE. PROVIDE A MINIMUM OF ONE JACK BEARING STUD AND TWO FULL-HEIGHT KING STUDS AT EACH END OF HEADER MEMBERS, TYPICAL UNLESS NOTED OTHERWISE.
- (X) "X" INDICATES NUMBER OF JACK BEARING STUDS AT EACH END OF BEAMS OR GIRDER TRUSSES.  
(X,Y) OR (X,Y,Z) "X" INDICATES NUMBER OF JACK BEARING STUDS AT EACH END OF HEADER MEMBERS.  
\*X" INDICATES NUMBER OF FULL-HEIGHT KING STUDS AT EACH END OF HEADER MEMBERS.  
\*Z" INDICATES NUMBER OF FULL-HEIGHT KING STUDS BETWEEN ENDS OF ADJACENT HEADERS AND BETWEEN SETS OF ADJACENT JACK STUDS.
- (↔) INDICATES SPAN DIRECTION OF ROOF TRUSSES.
- DIMENSIONS TO EXTERIOR STUD WALLS INDICATED ON PLAN ARE TO OUTSIDE FACE OF SHEATHING.
- WHERE SHEAR WALLS ARE INDICATED ON PLAN, SEE THE SHEAR WALL SCHEDULE ON THIS SHEET FOR SHEAR WALL CONSTRUCTION AND FASTENING. SEE HOLDOWN SCHEDULE ON SHEET 51.1 FOR ANCHORING. SEE SECTION 353.1 FOR ADDITIONAL INFORMATION.
- SEE FOUNDATION PLAN NOTES ON SHEET 51.1 FOR ADDITIONAL INFORMATION.
- SEE FLOOR FRAMING PLAN NOTES ON SHEET 51.2 FOR ADDITIONAL INFORMATION.
- SEE SHEETS 50.1 AND 50.2 FOR STRUCTURAL NOTES AND TABLES, RESPECTIVELY.

SHEAR WALL SCHEDULE							
MARK	SHEATHING APPLICATION	SHEATHING TYPE AND THICKNESS	PANEL EDGES	FASTENER	NAIL SPACING		DESIGN CAPACITY (WIND-ALLOW.)
					EDGE	FIELD	
SW1	ONE SIDE	1 5/8" APA RATED	BLOCKED	10d NAILS	6"	12"	400 PLF
SW2	ONE SIDE	1 5/8" APA RATED	BLOCKED	10d NAILS	4"	12"	593 PLF
SW3	BOTH SIDES	5/8" GYPSUM WALLBOARD	BLOCKED	6d COOLER NAILS	4"	12"	350 PLF
SW4	BOTH SIDES	5/8" GYPSUM WALLBOARD	BLOCKED	6d COOLER NAILS	7"	12"	290 PLF

HEADER SCHEDULE	
MARK	SIZE
H1	(4) 2x6
H2	(3) 1-3/4"x8-1/4" LVL
H3	(3) 2x6
H4	(4) 2X10
H5	(4) 1-3/4"x8-1/4" LVL
H6	(3) 2X12

SHEAR WALL NOTES:

- LOCATE ALL PANEL EDGES ON STUDS, FULL-DEPTH BLOCKING OR TOP/BOTTOM PLATES.
- PROVIDE MULTIPLE STUDS AND HOLDDOWNS AT ENDS OF SHEAR WALLS PER FRAMING PLANS, FOUNDATION PLAN AND SECTION 353.1.

ISSUANCES/REVISIONS

NO.	DESCRIPTION	DATE
1	ADDENDUM #01	07/26/2023

PROJECT NUMBER:	DRAWN BY:	CHECKED BY:
22104.00	WH	JMB

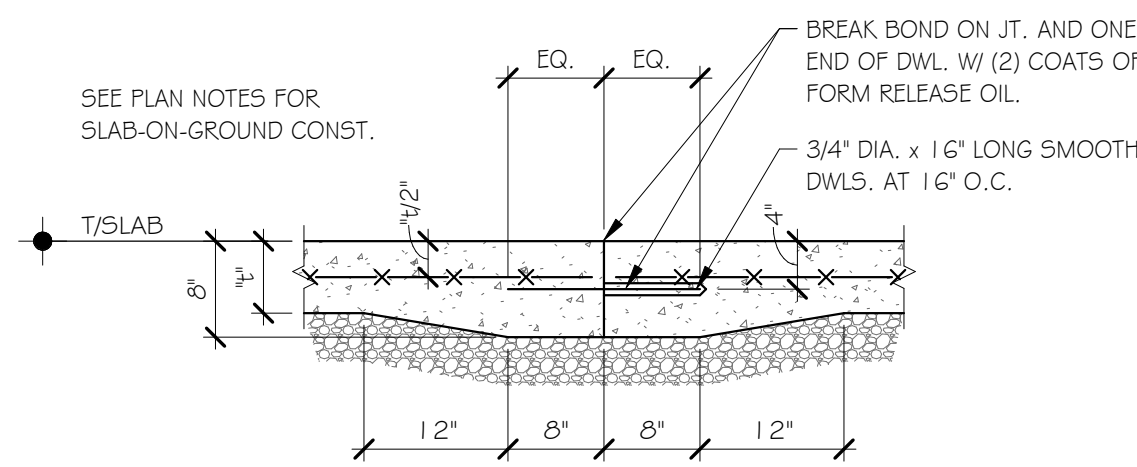
SHEET TITLE:

**ROOF FRAMING PLAN**

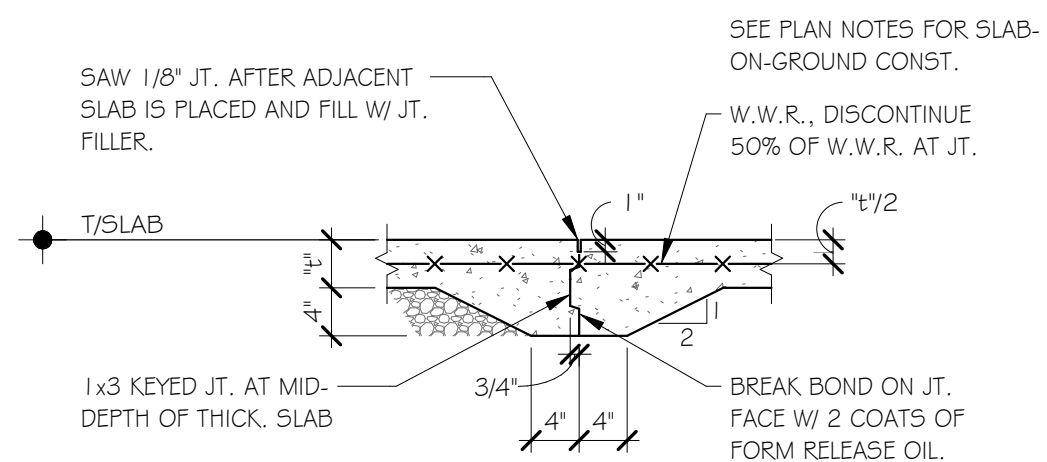
SHEET NUMBER:

**S1.3**

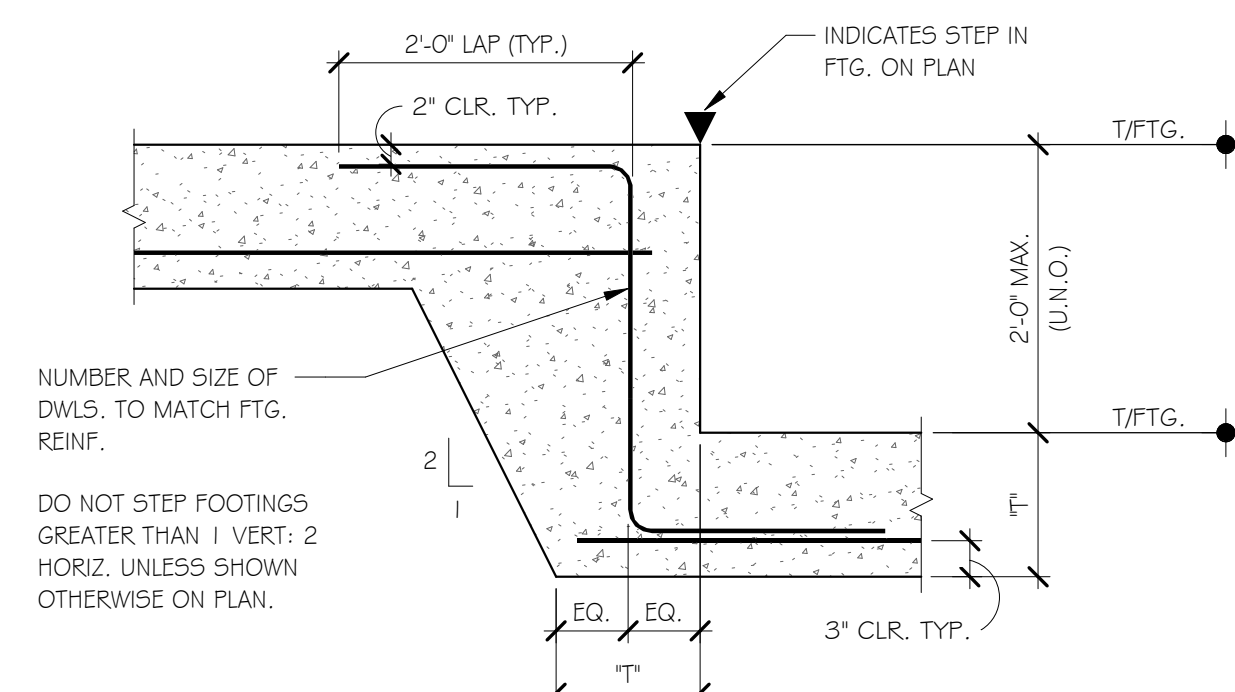




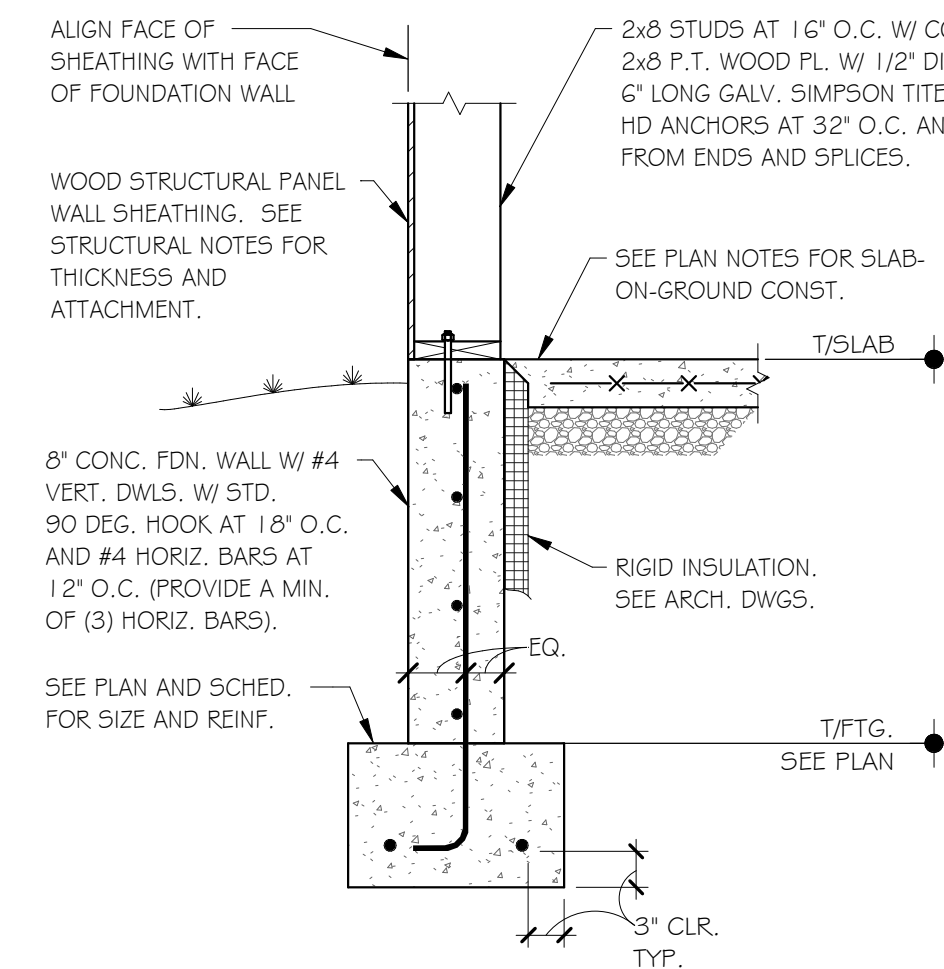
1A TYP. CONSTRUCTION JOINT  
3/4" = 1'-0"



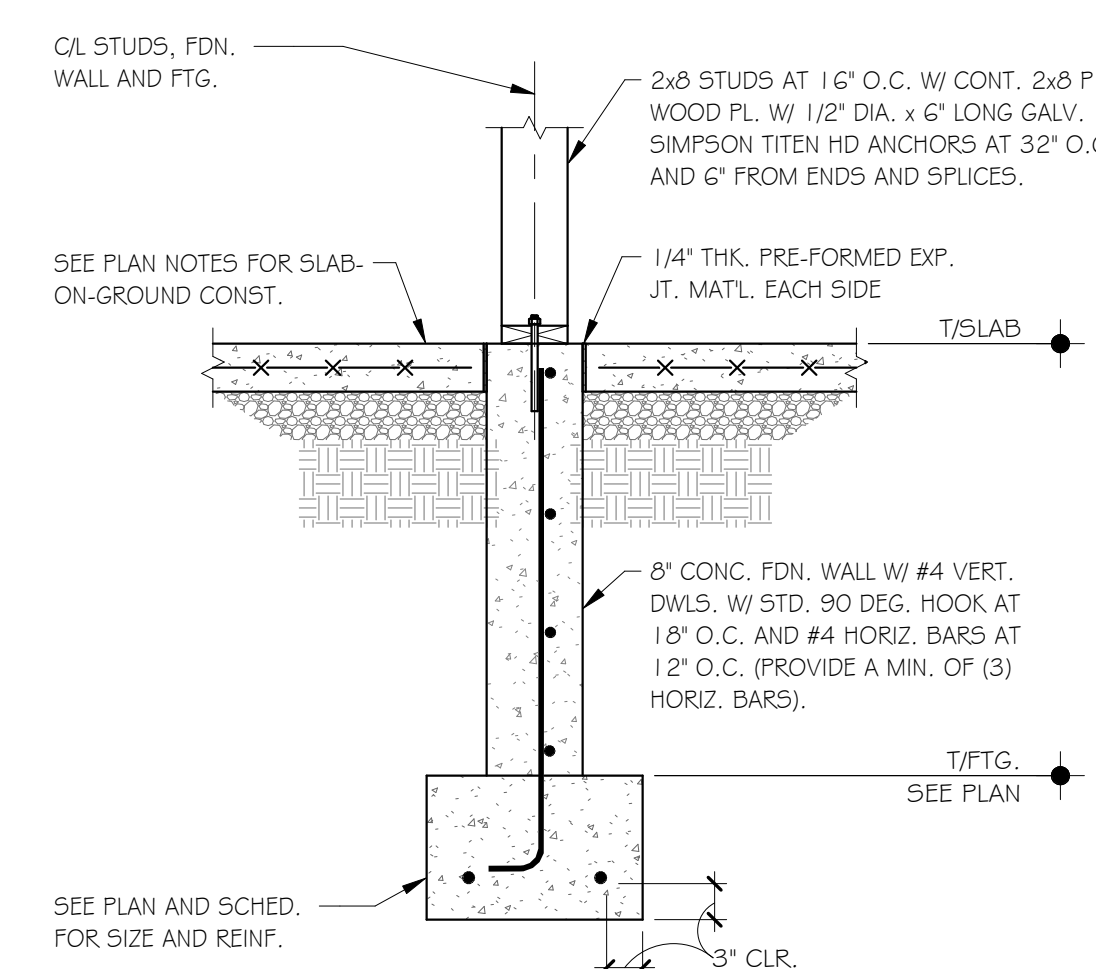
1B TYP. CONSTRUCTION JOINT  
3/4" = 1'-0"



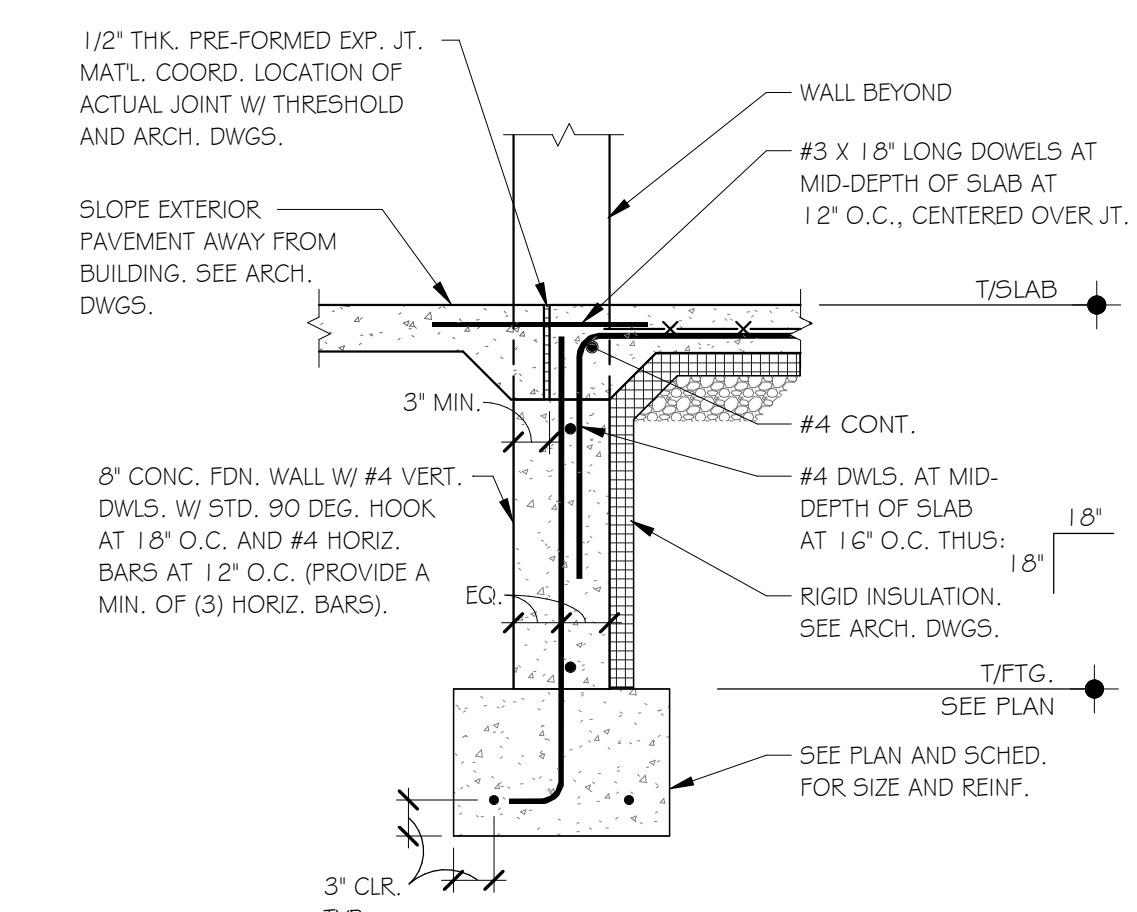
2 TYP. FOOTING STEP  
3/4" = 1'-0"



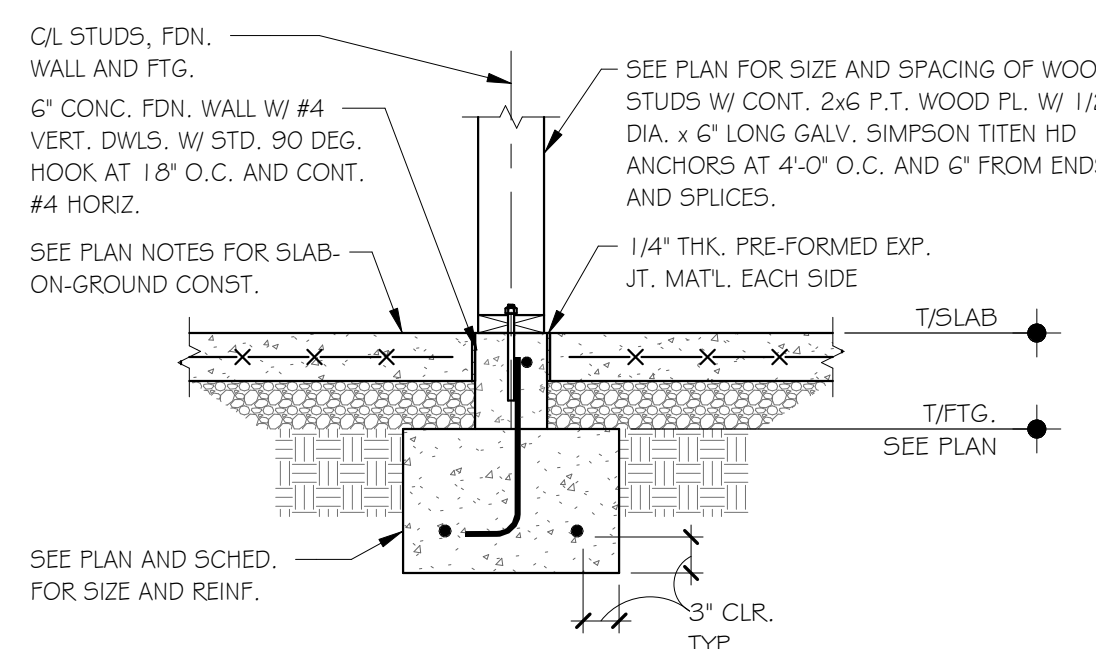
3 SECTION  
3/4" = 1'-0"



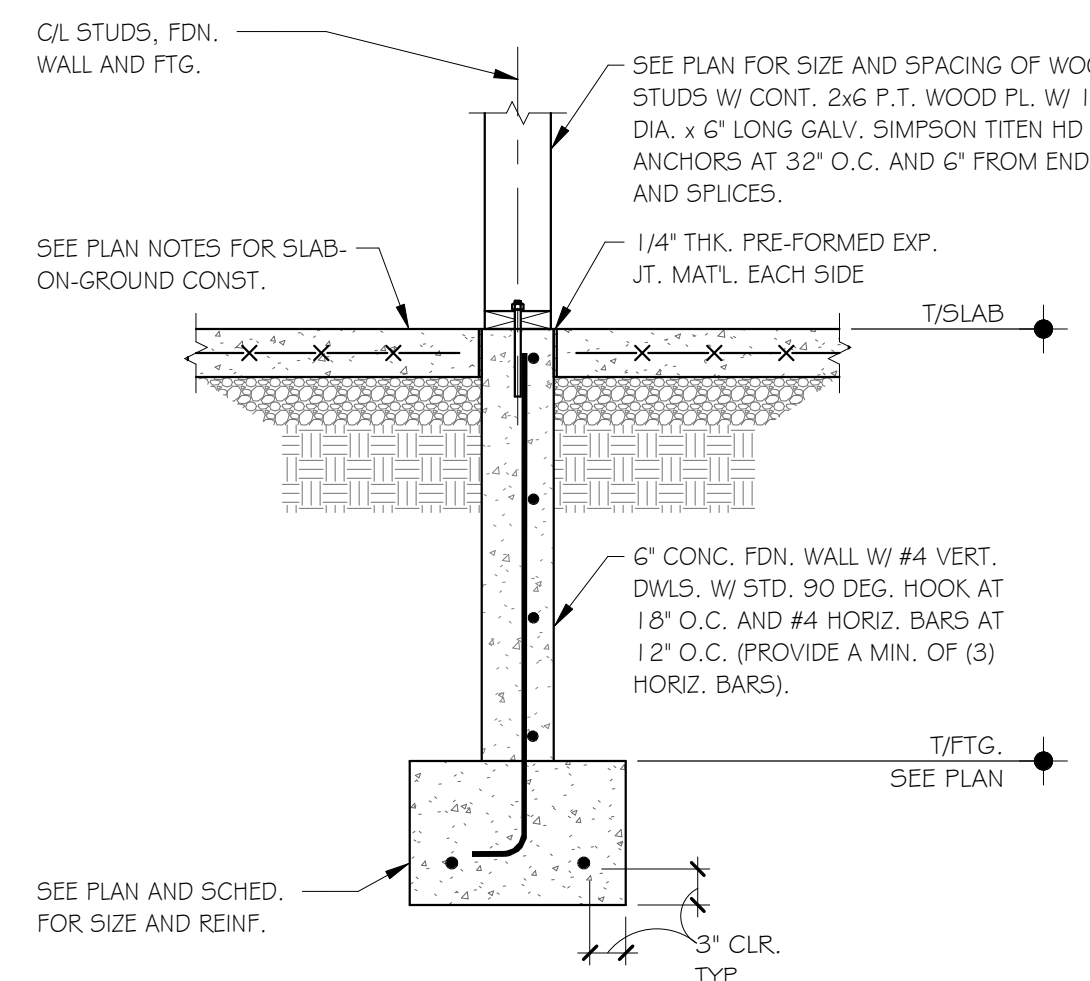
4 SECTION  
3/4" = 1'-0"



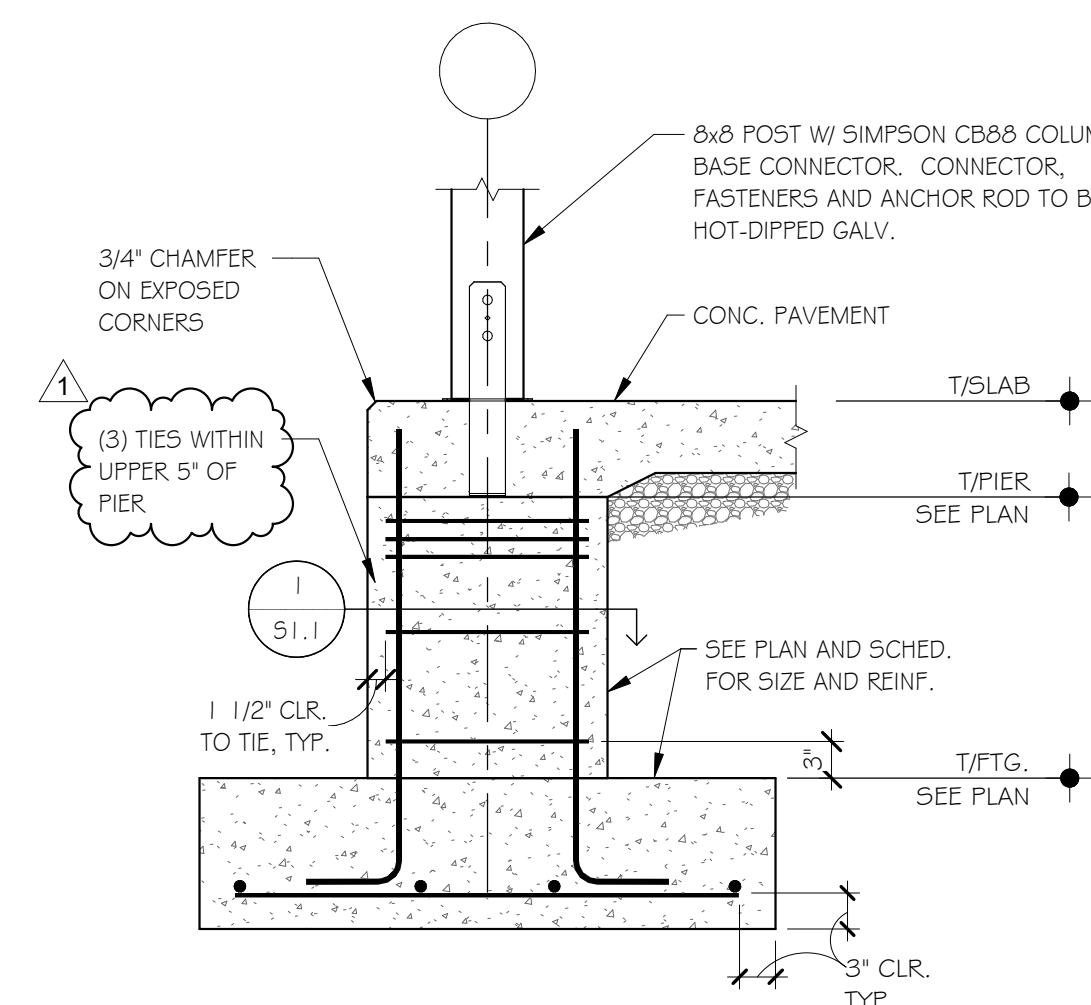
5 SECTION  
3/4" = 1'-0"



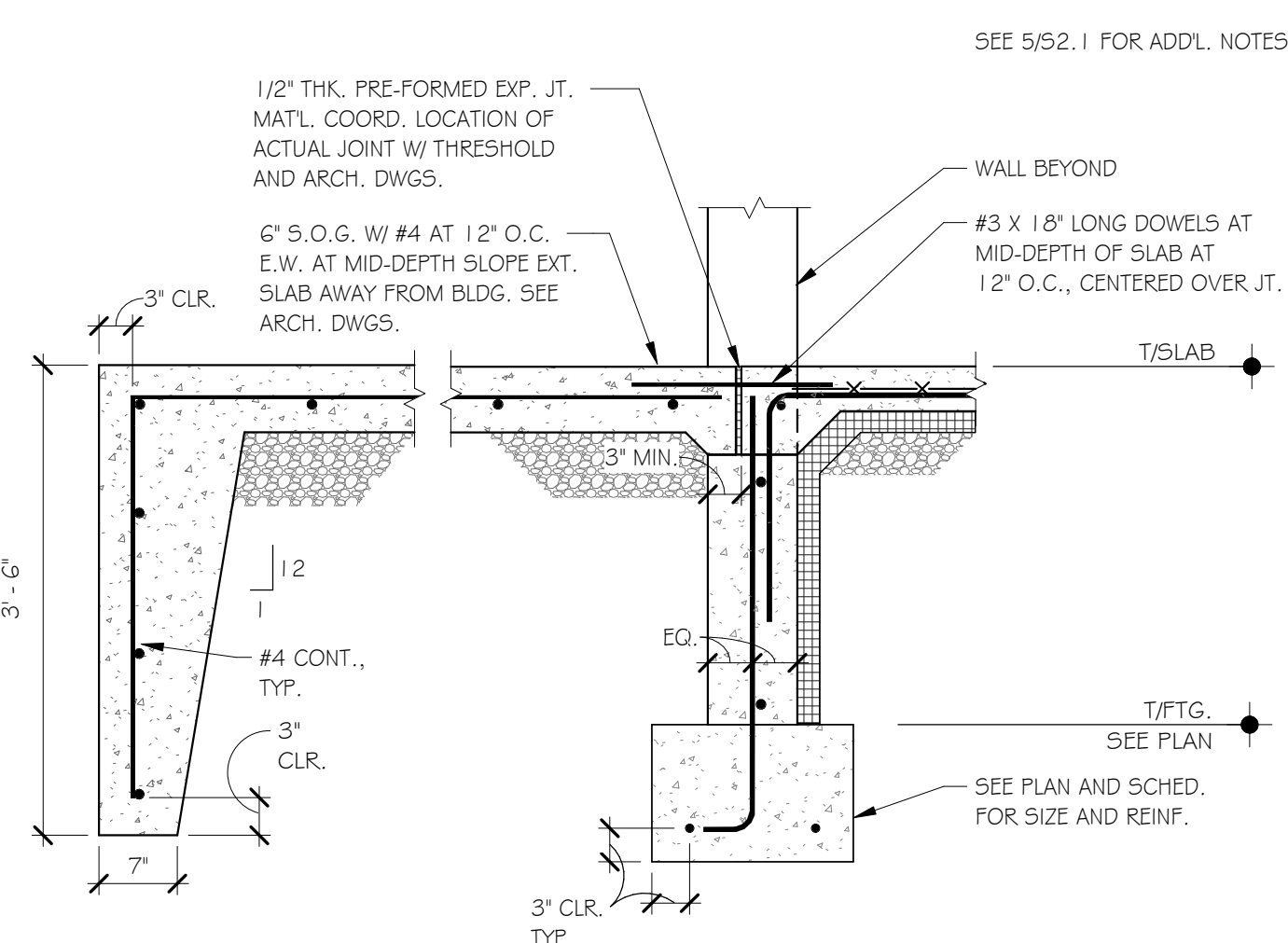
6 SECTION  
3/4" = 1'-0"



7 SECTION  
3/4" = 1'-0"



8 SECTION  
3/4" = 1'-0"



9 SECTION  
3/4" = 1'-0"



ANTWERP LOCAL SCHOOLS - THE RANGE  
WELLNESS AND RECREATION CENTER

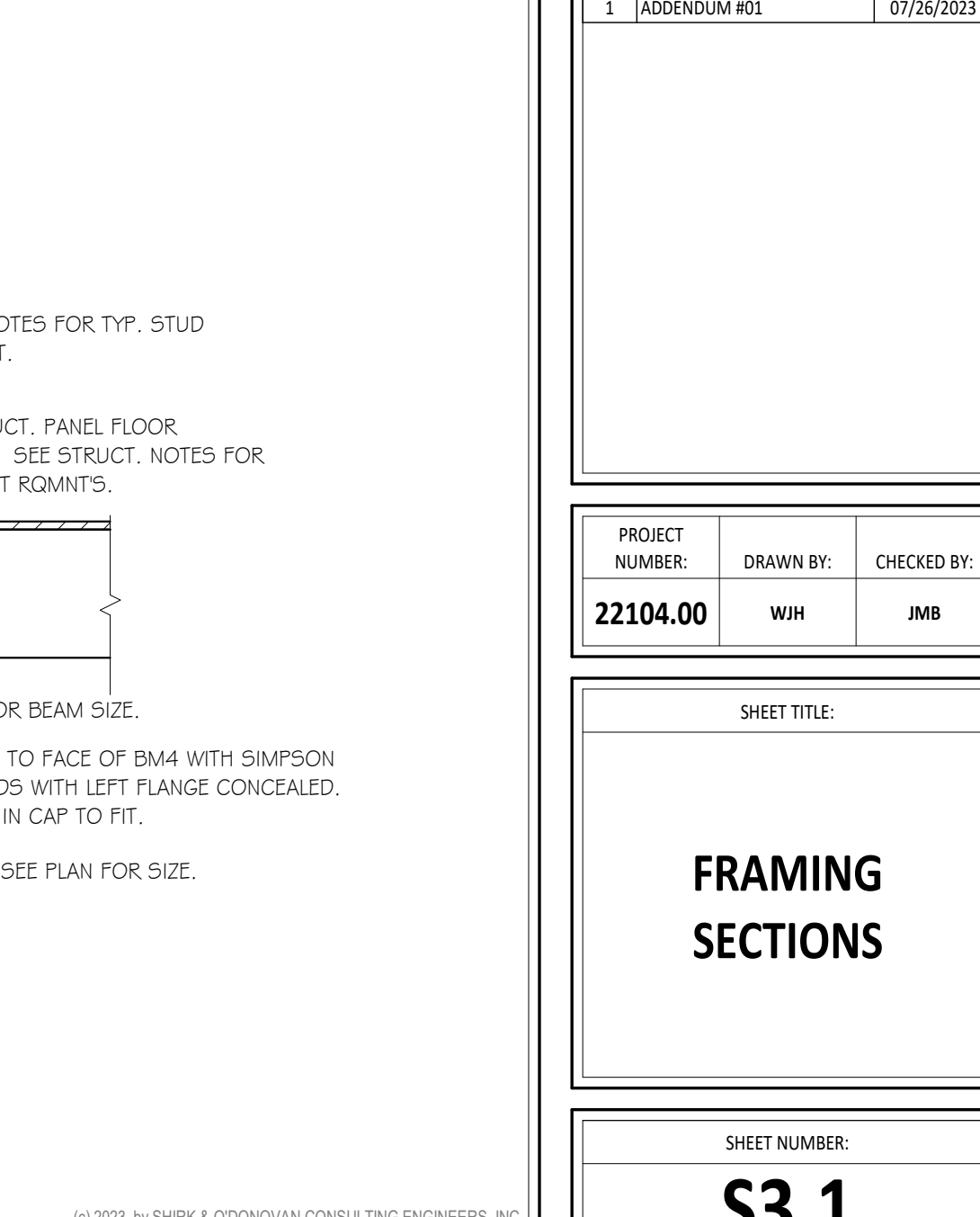
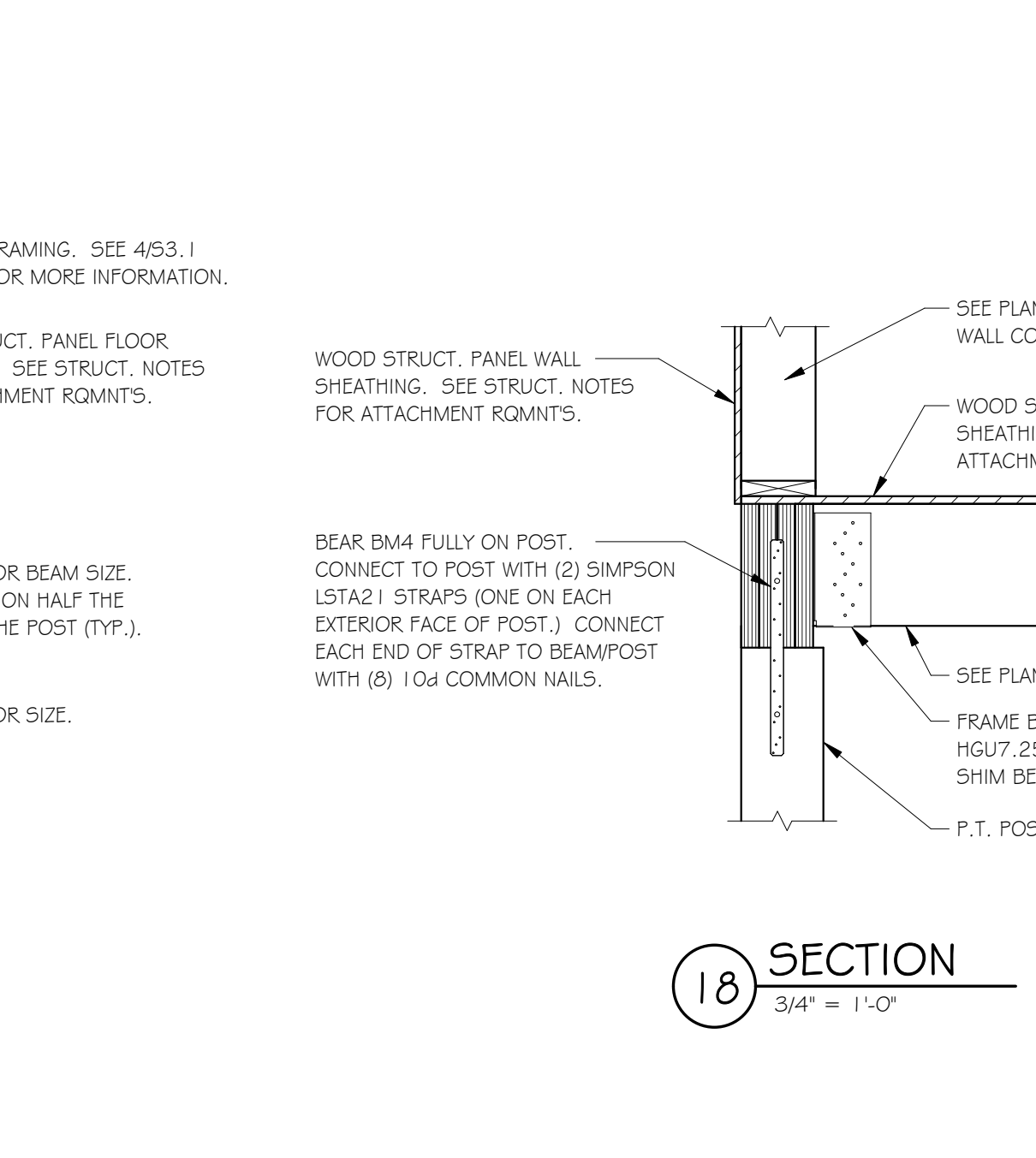
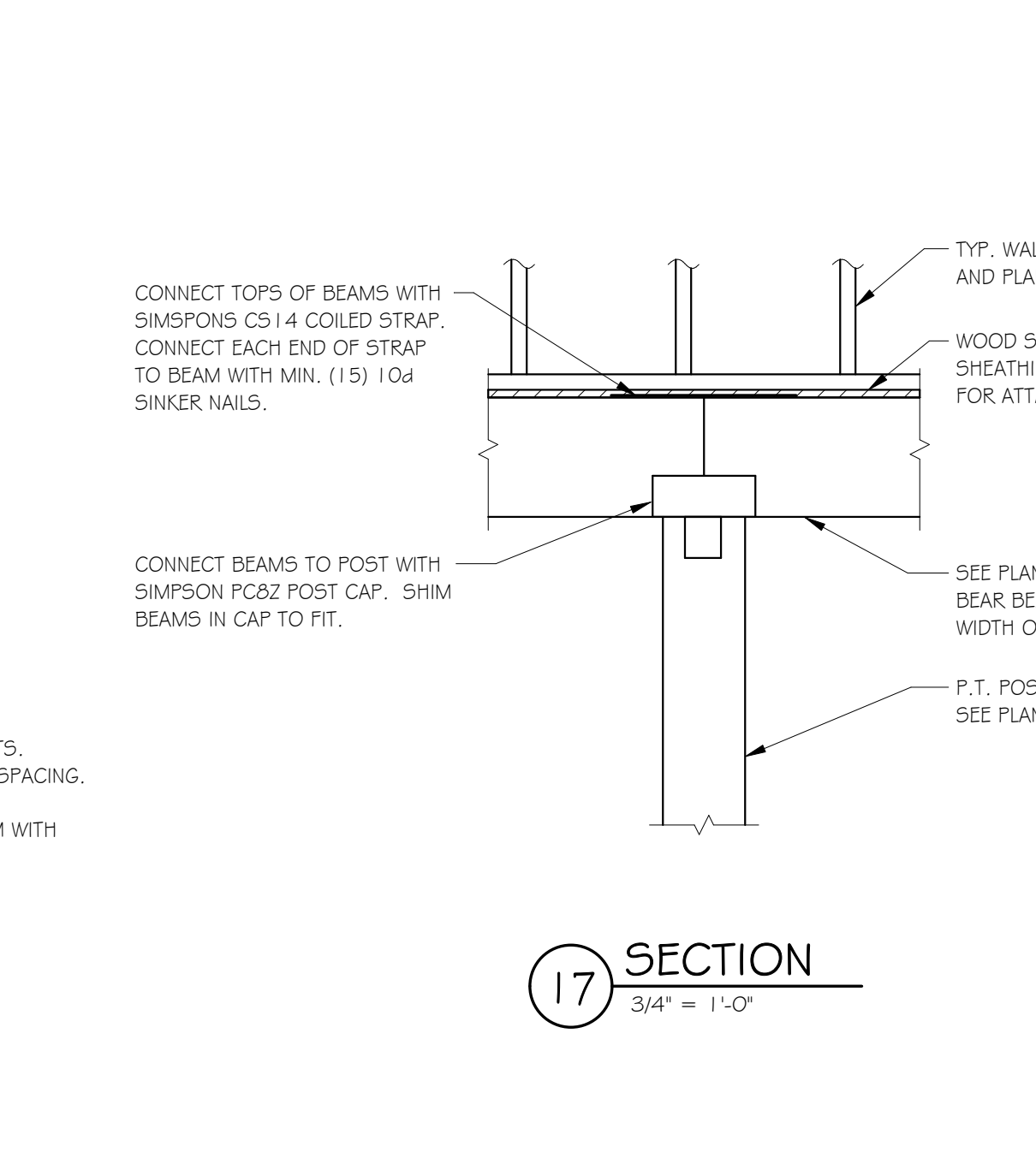
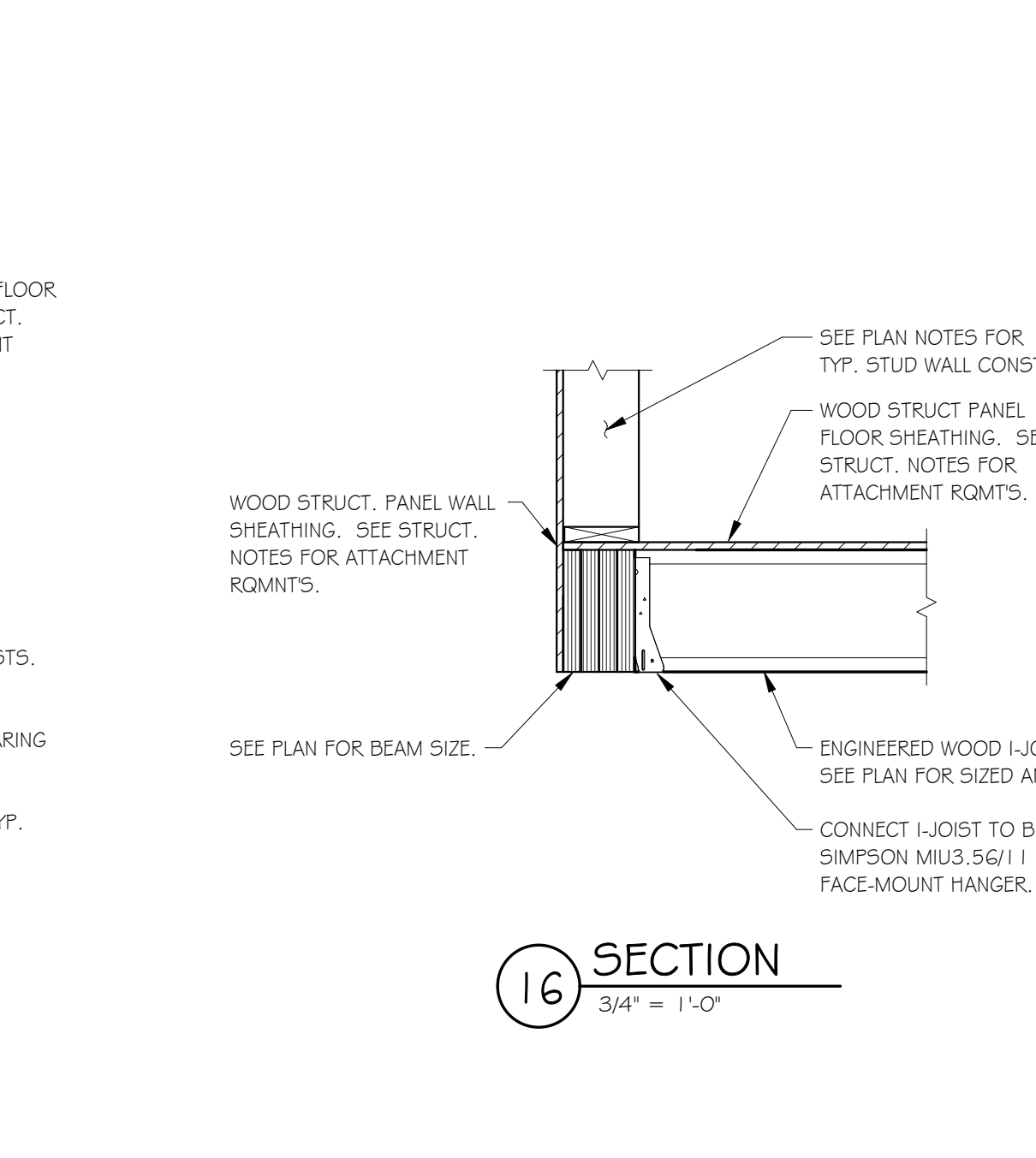
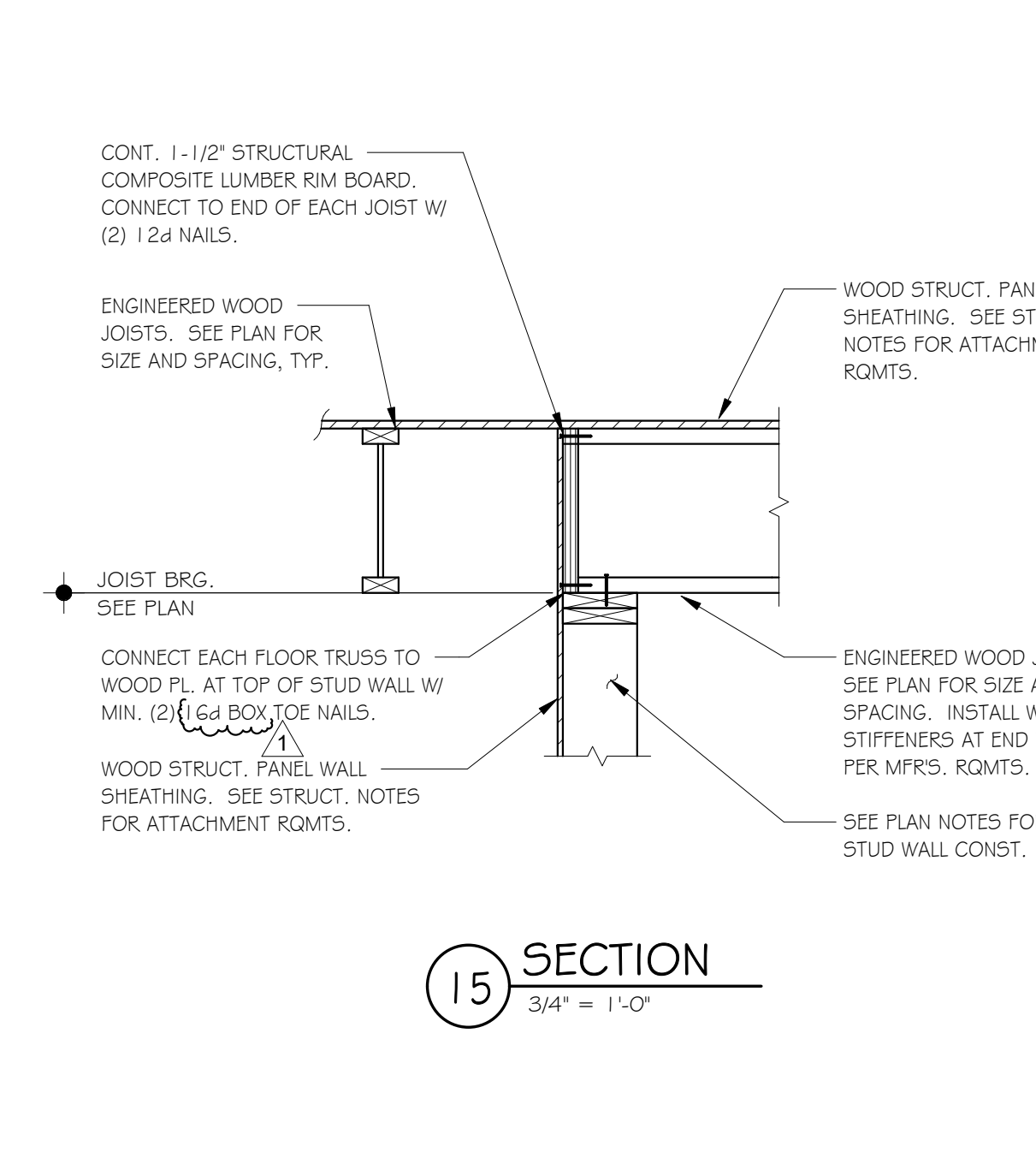
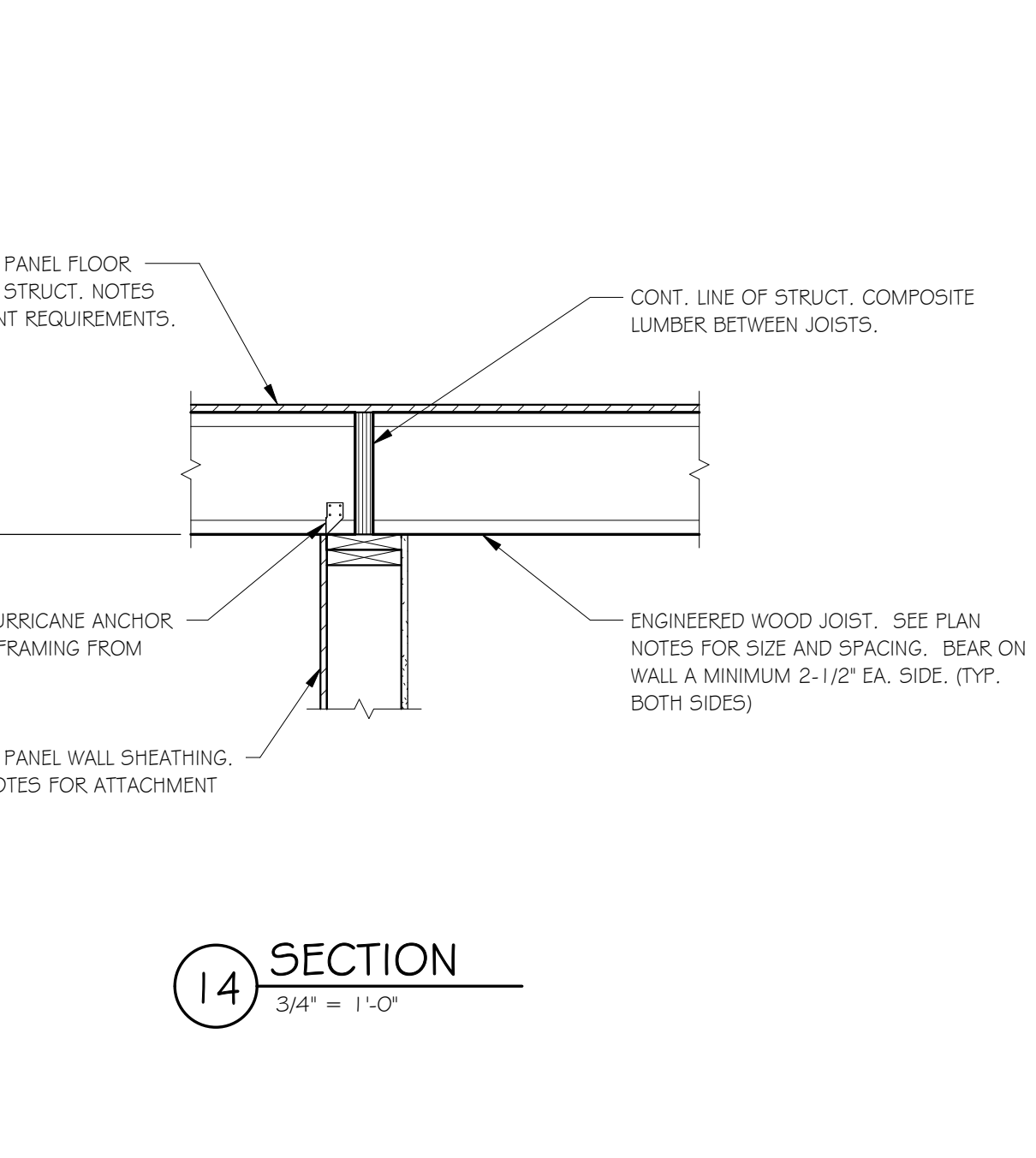
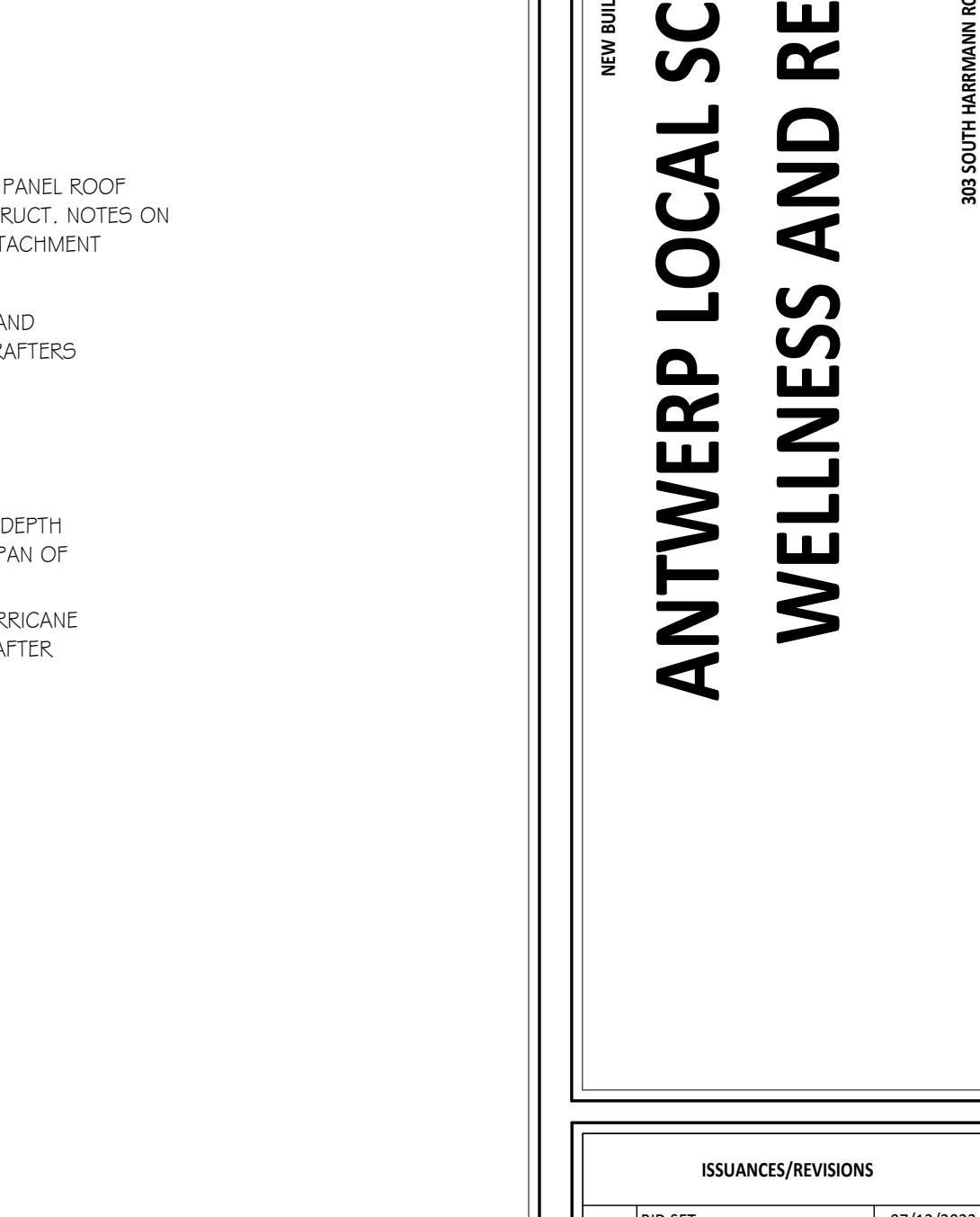
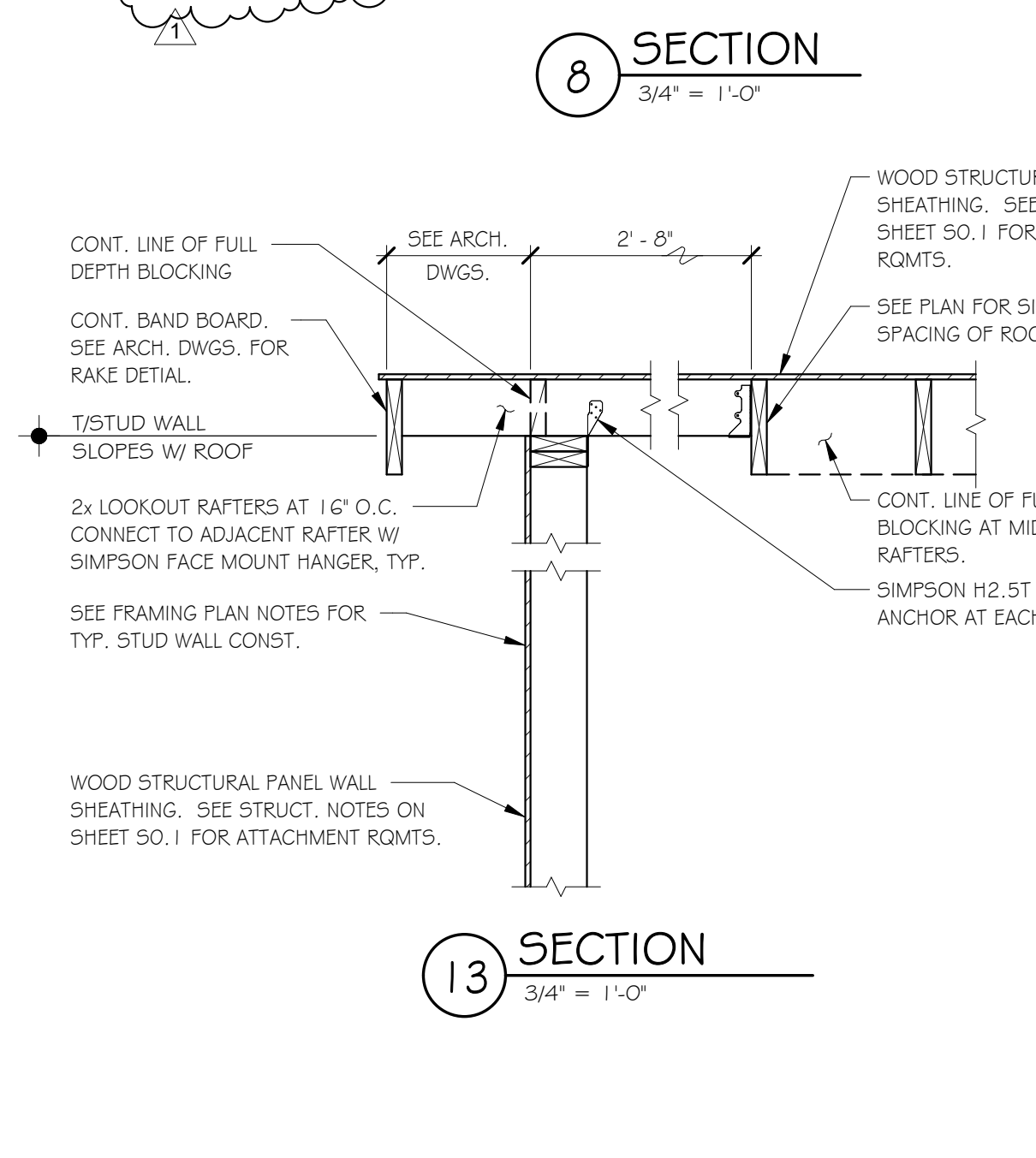
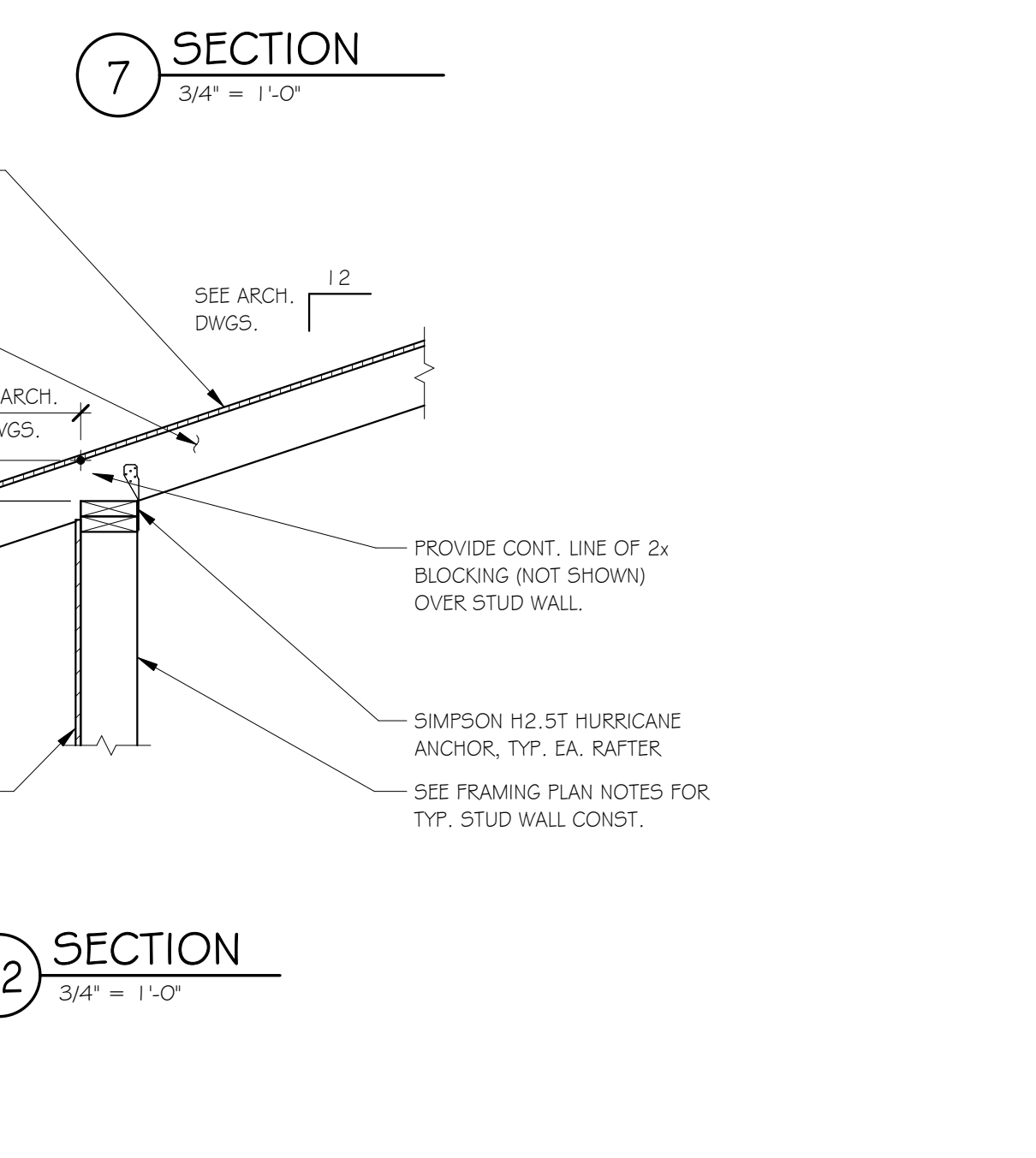
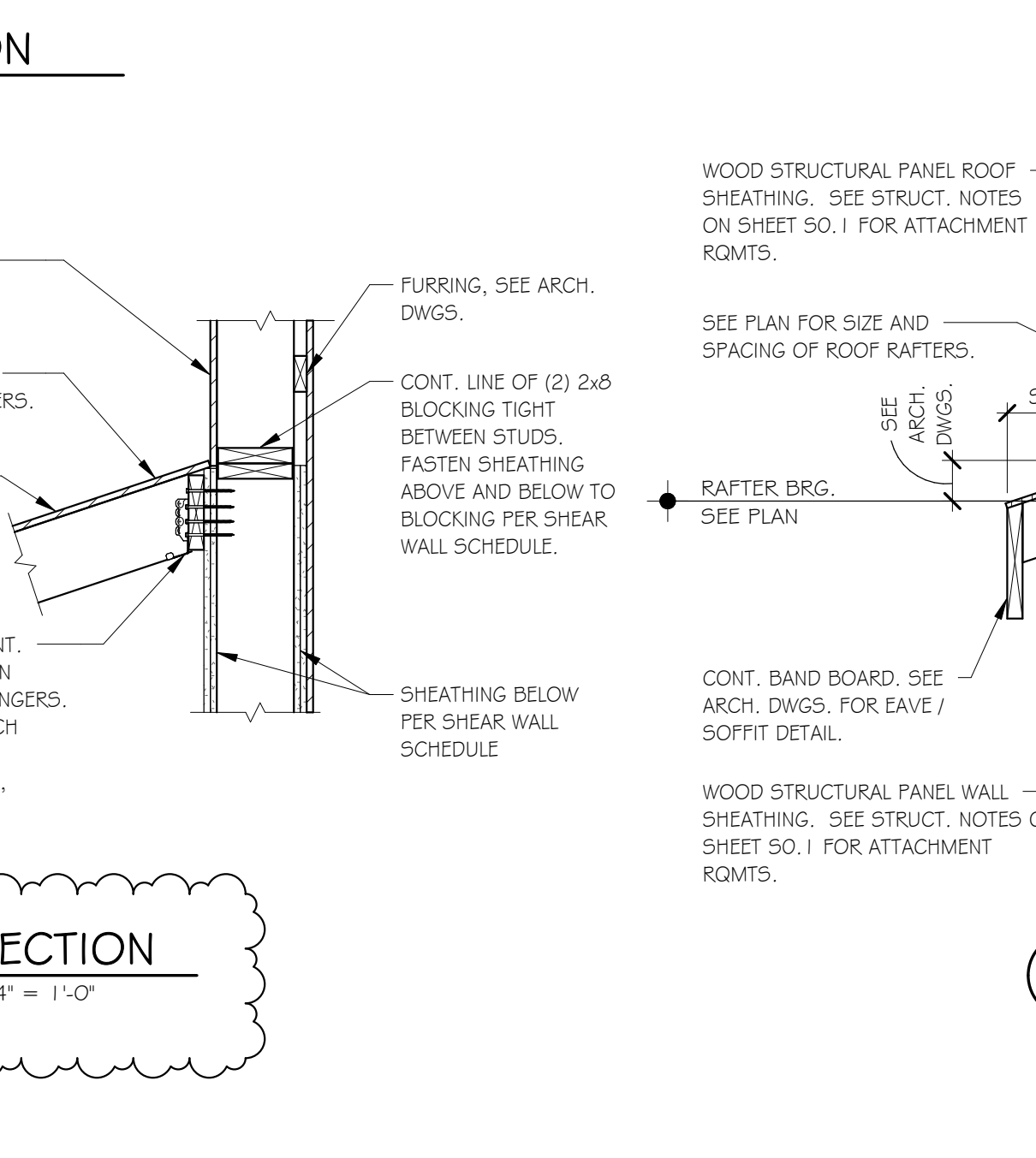
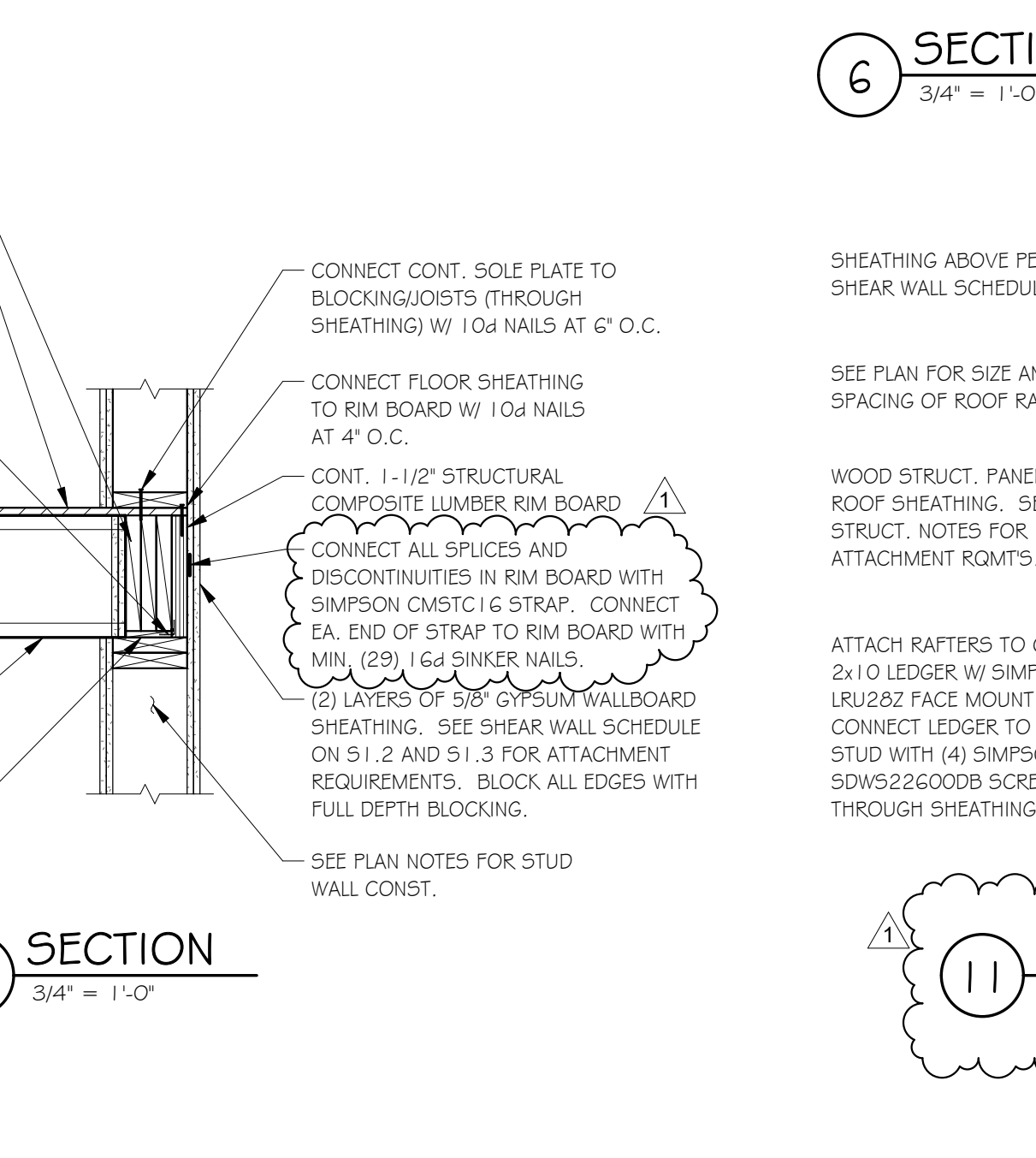
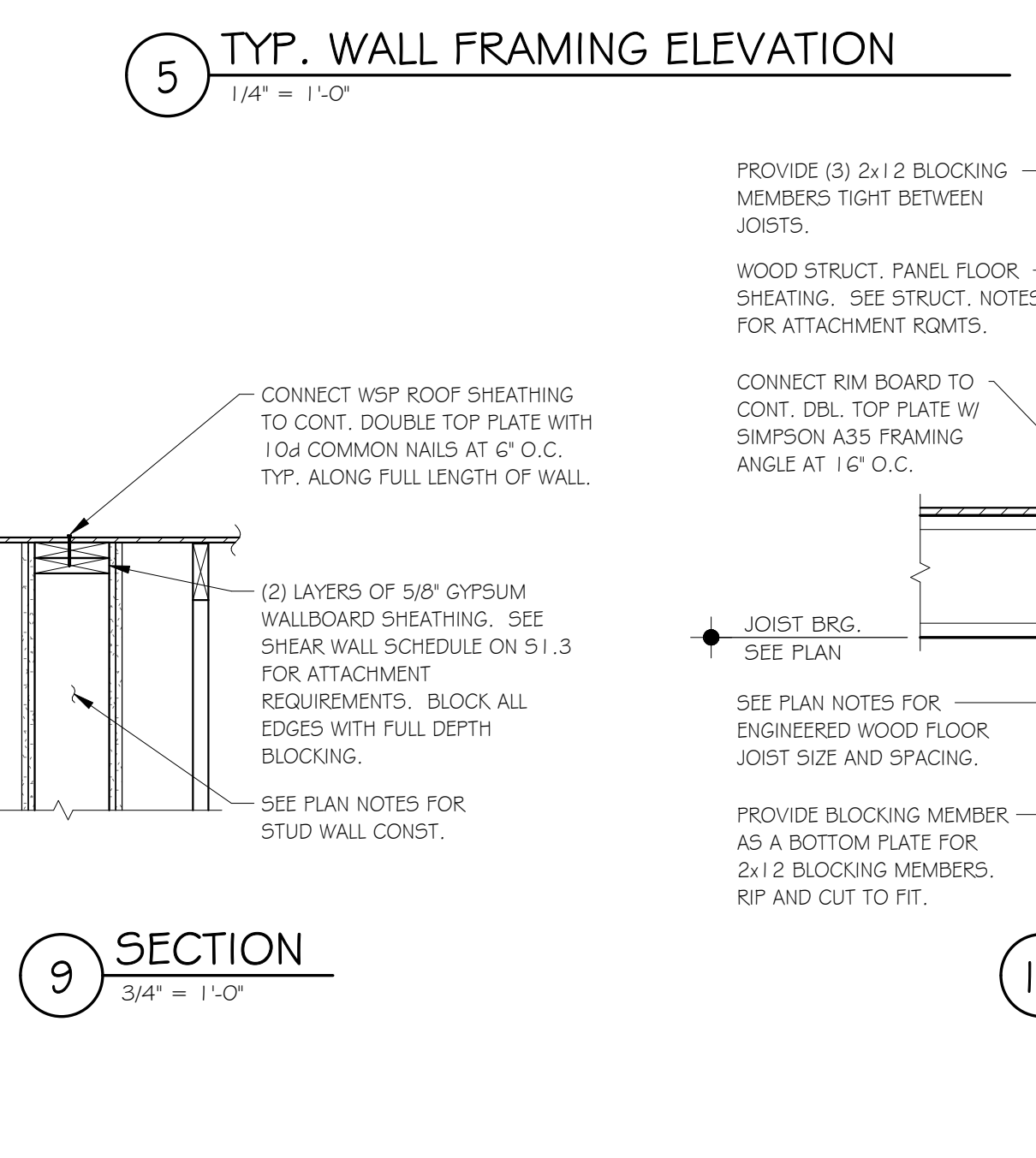
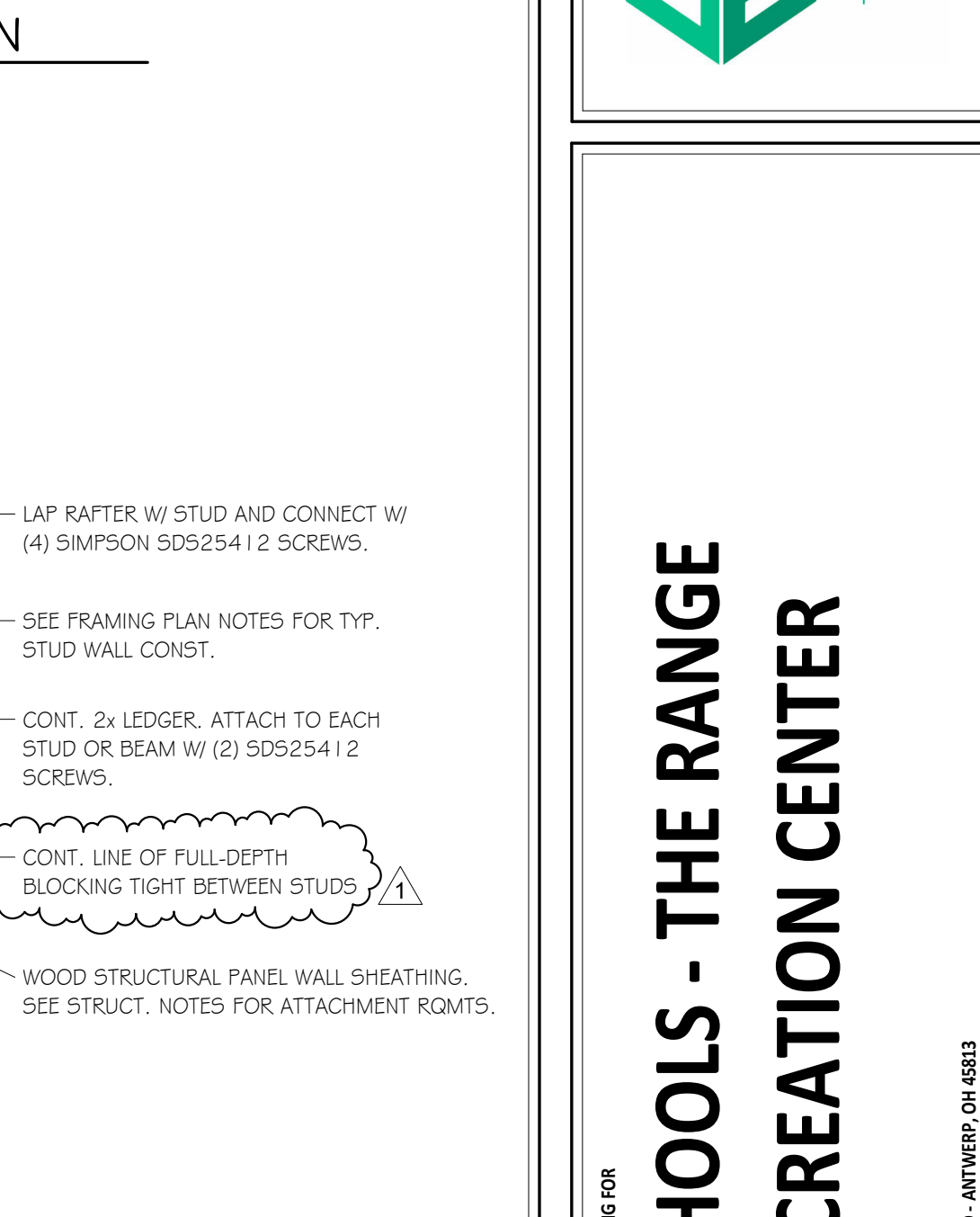
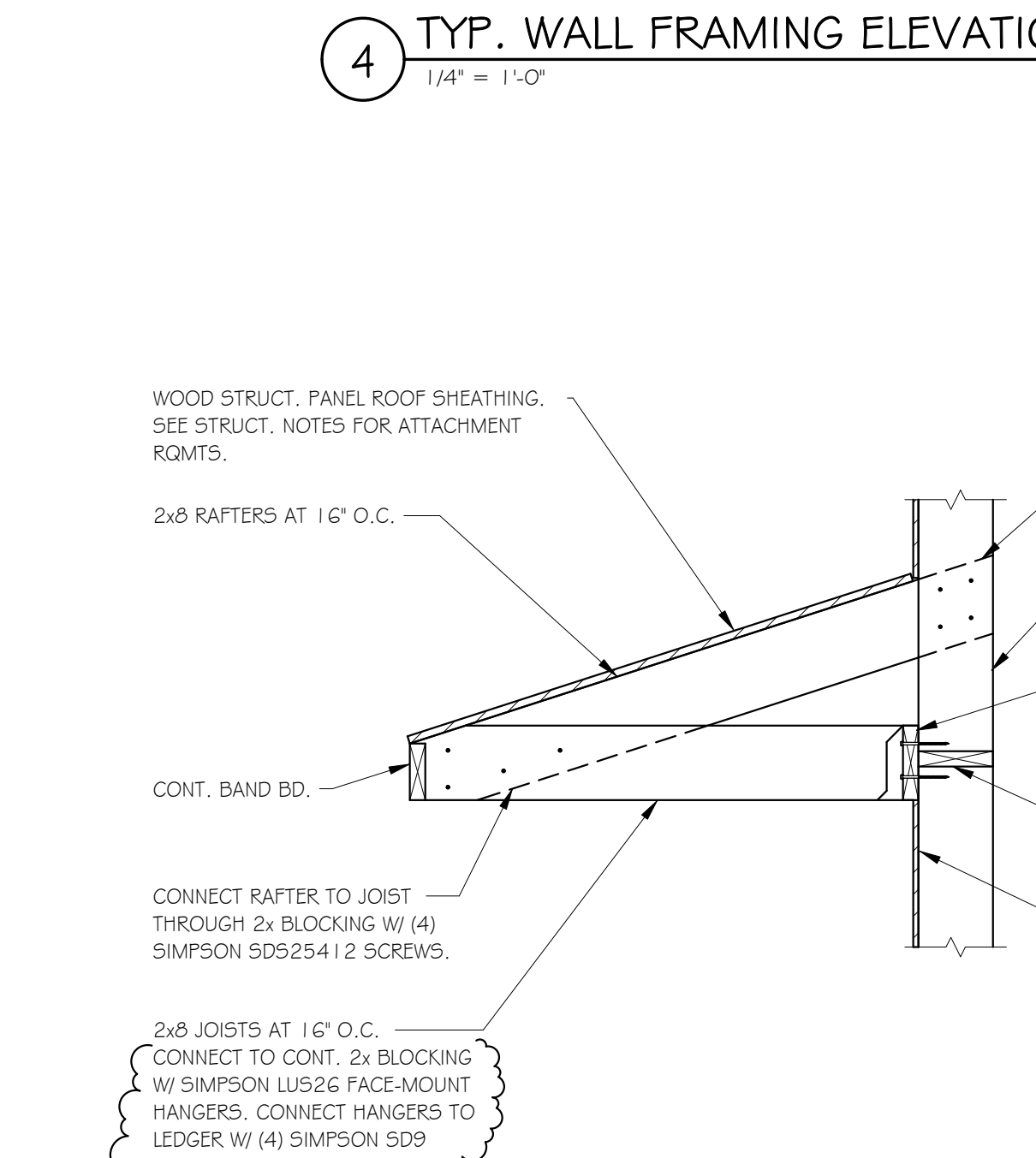
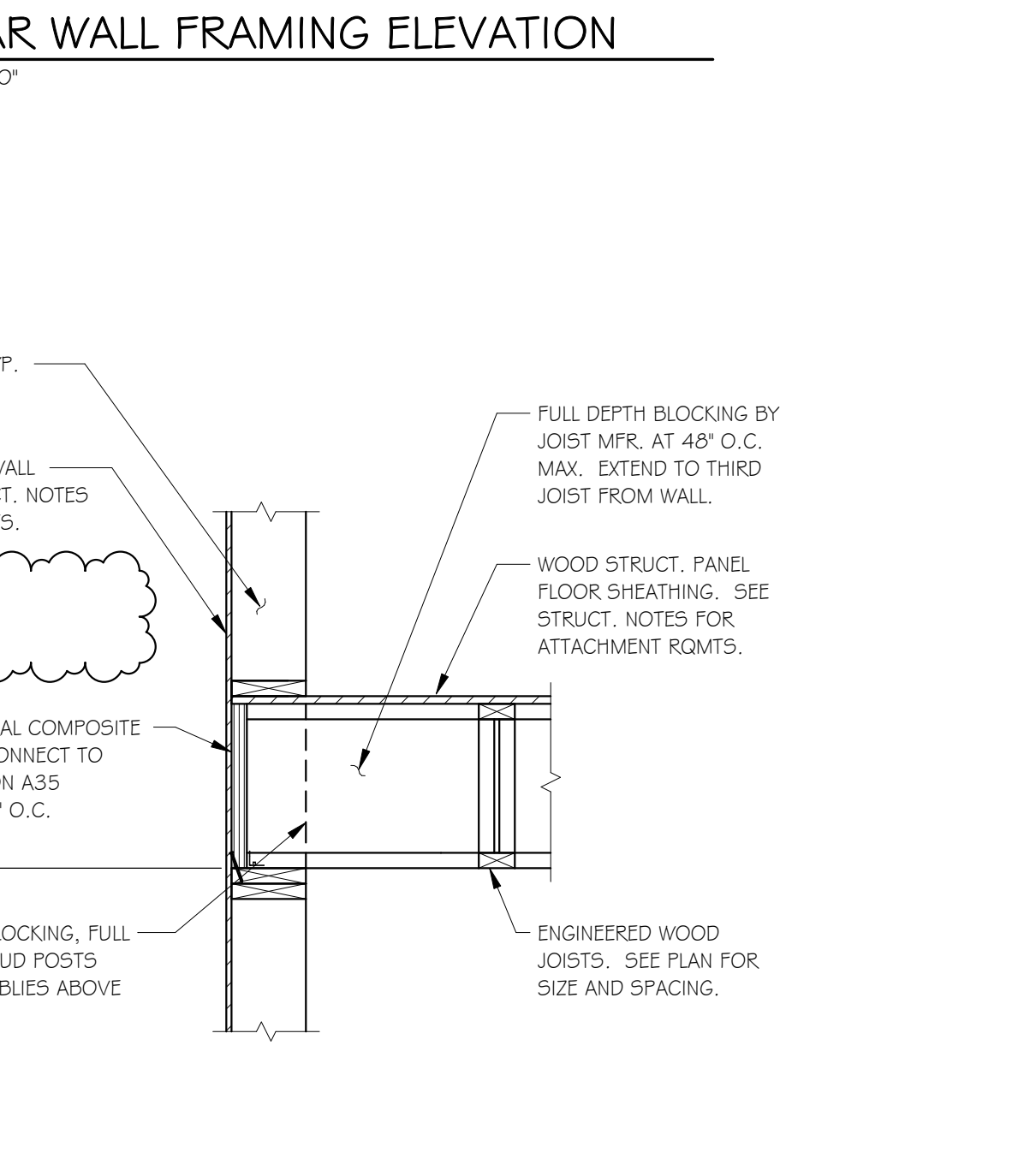
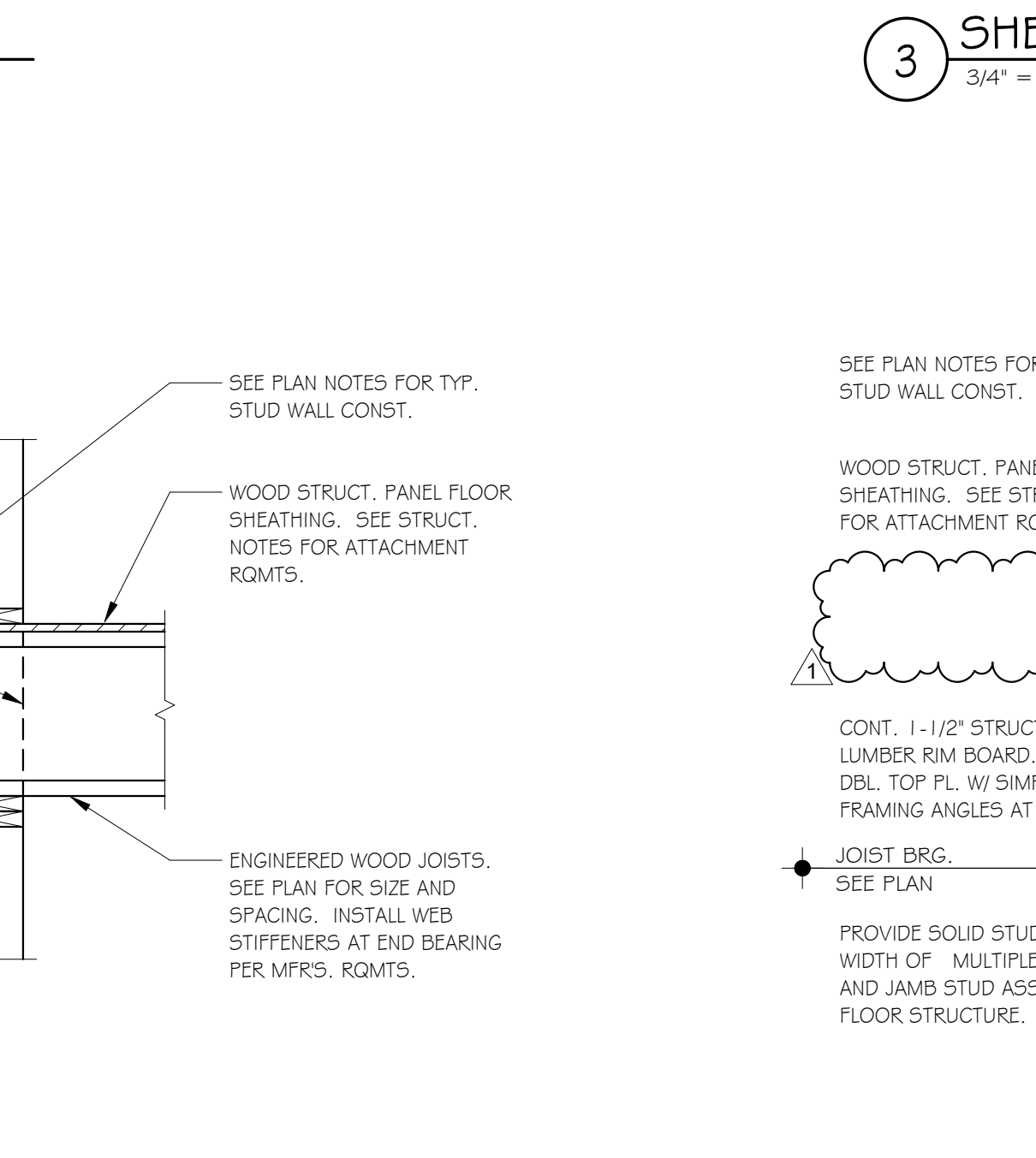
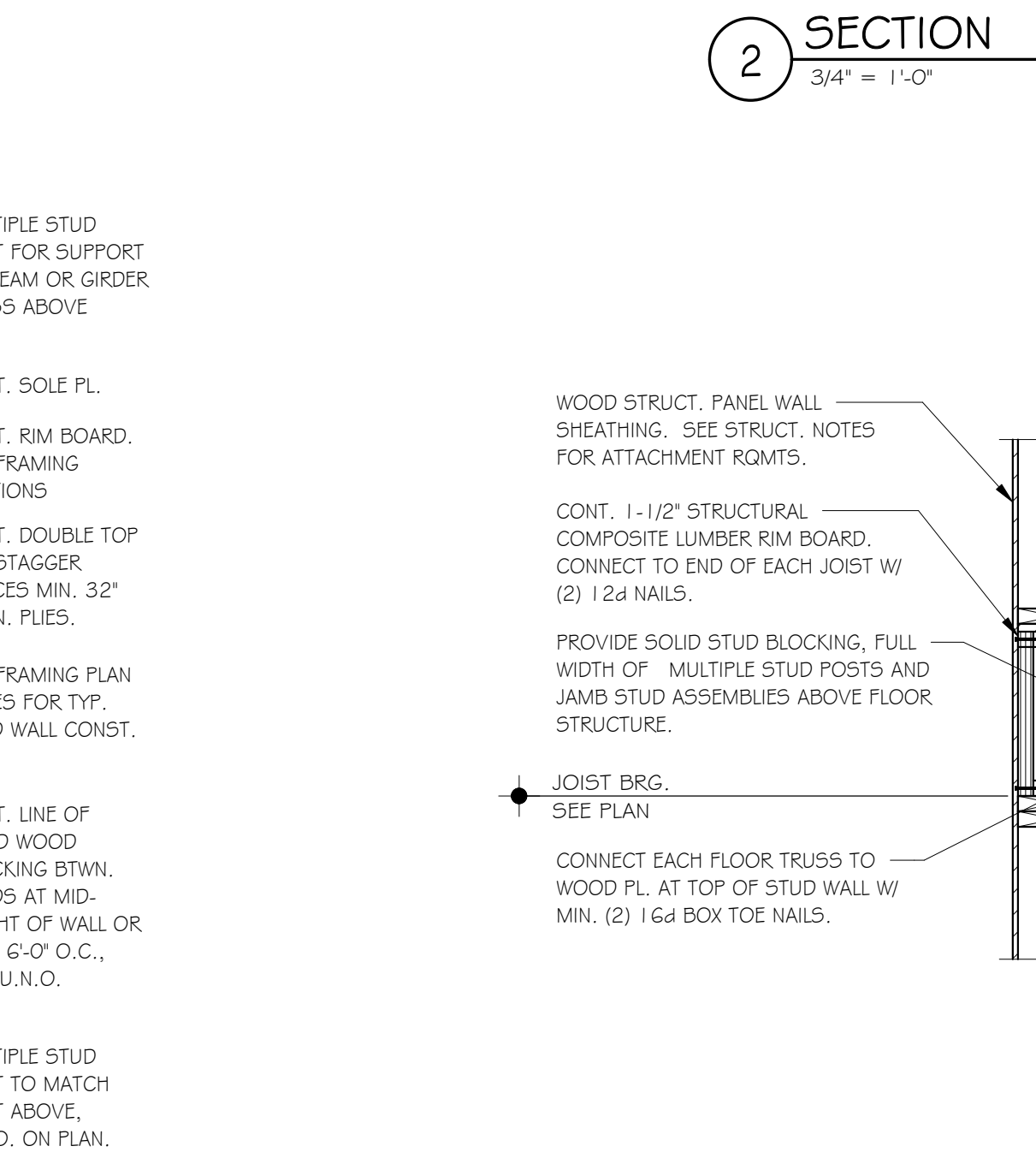
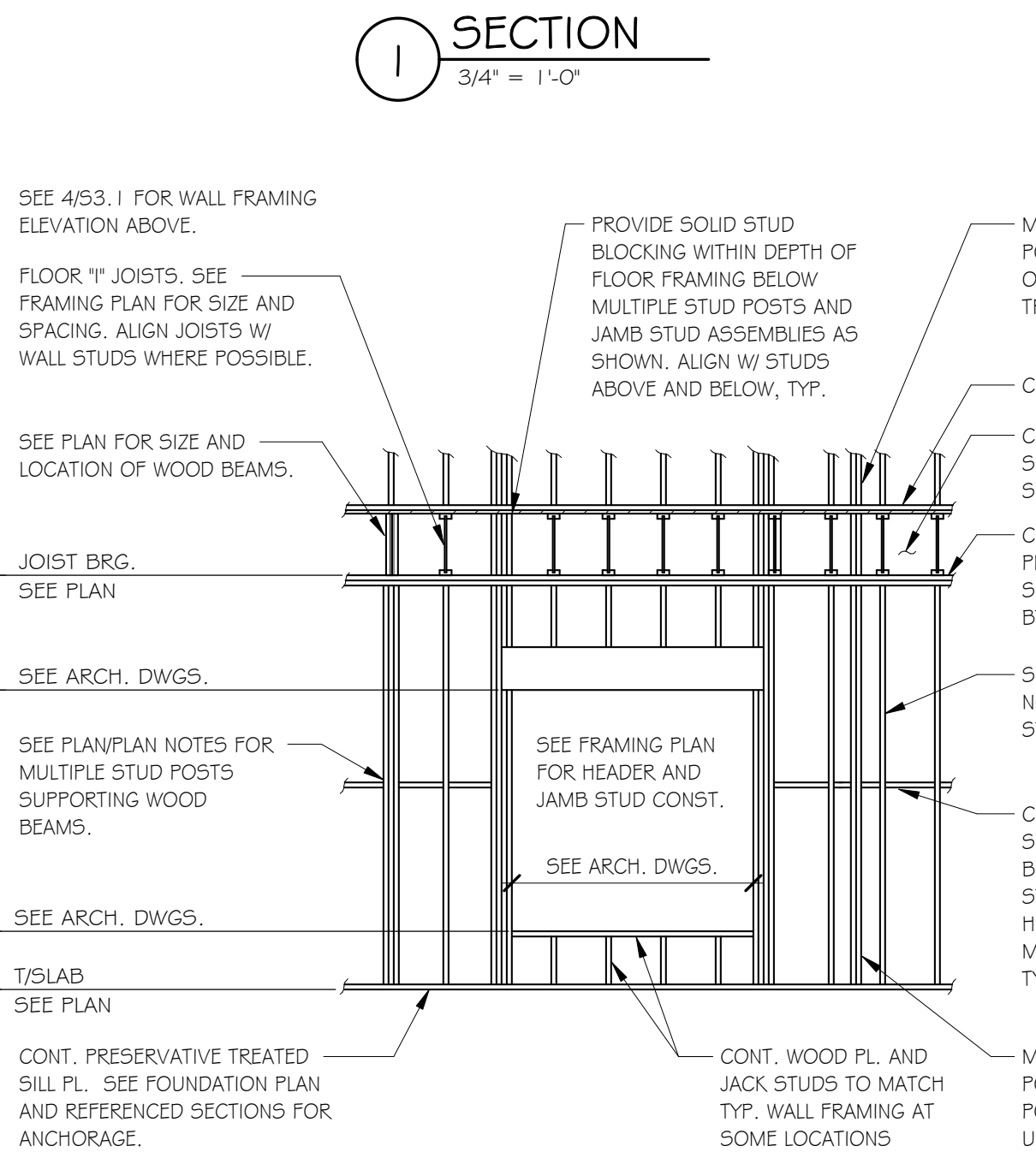
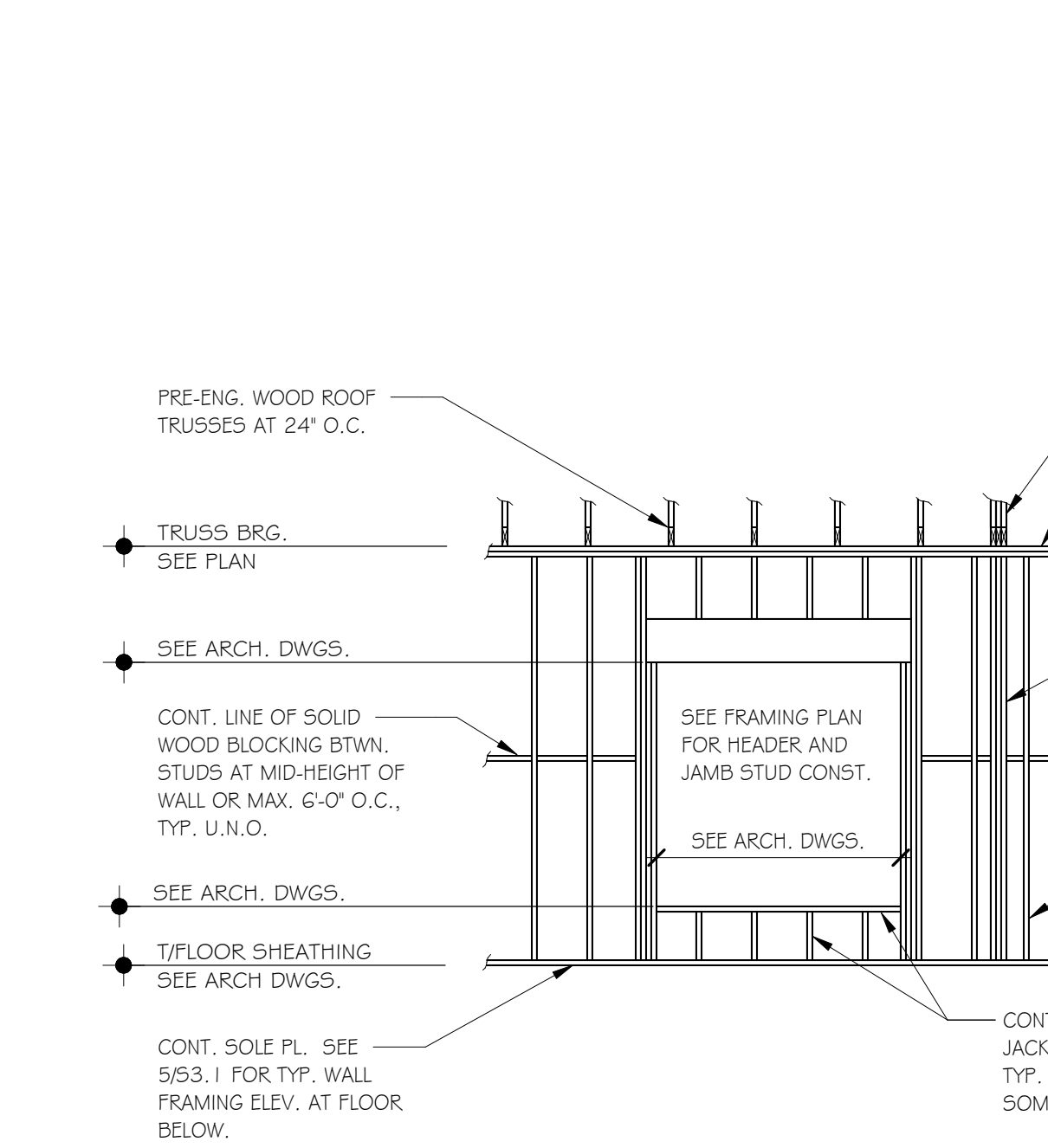
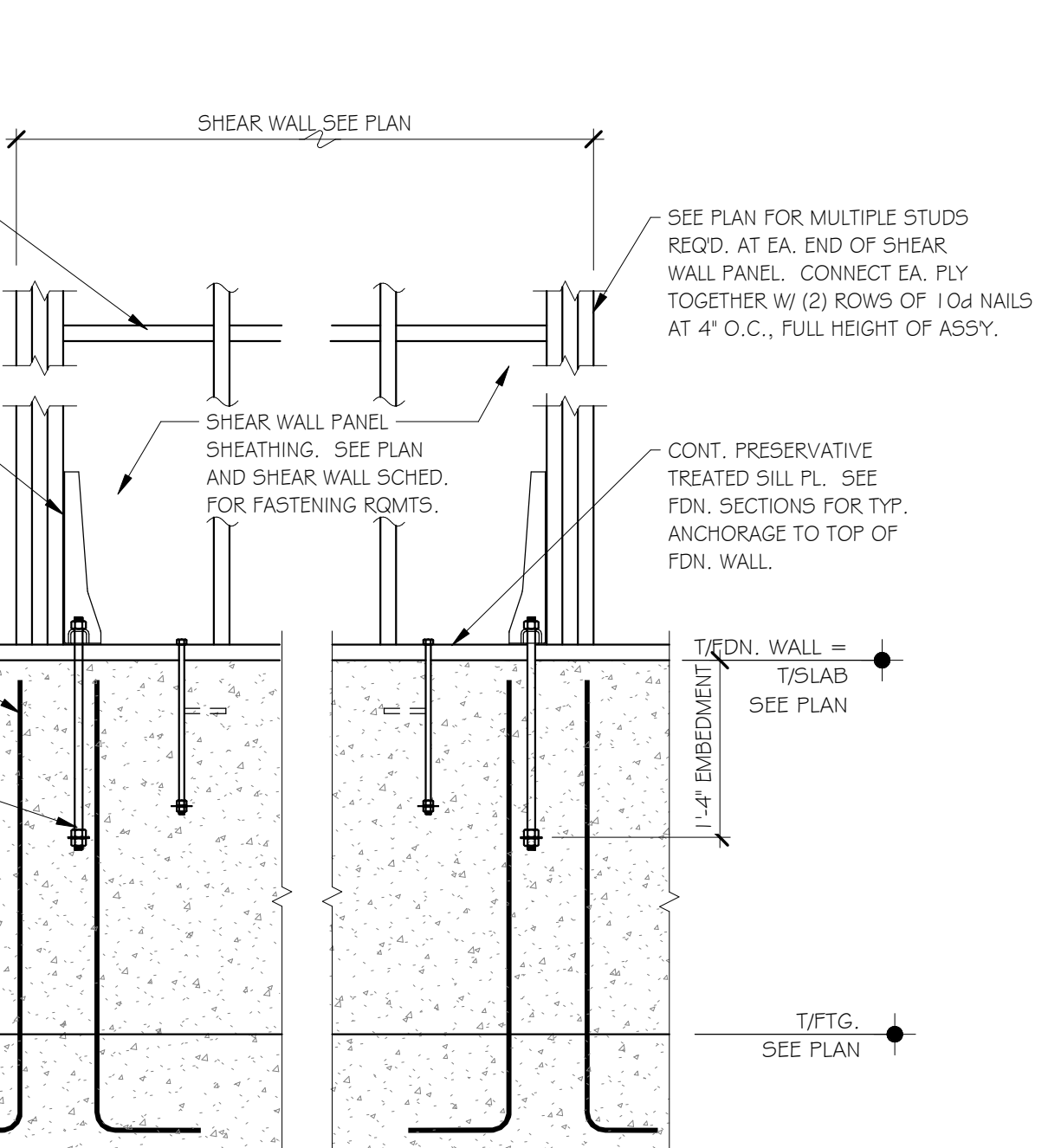
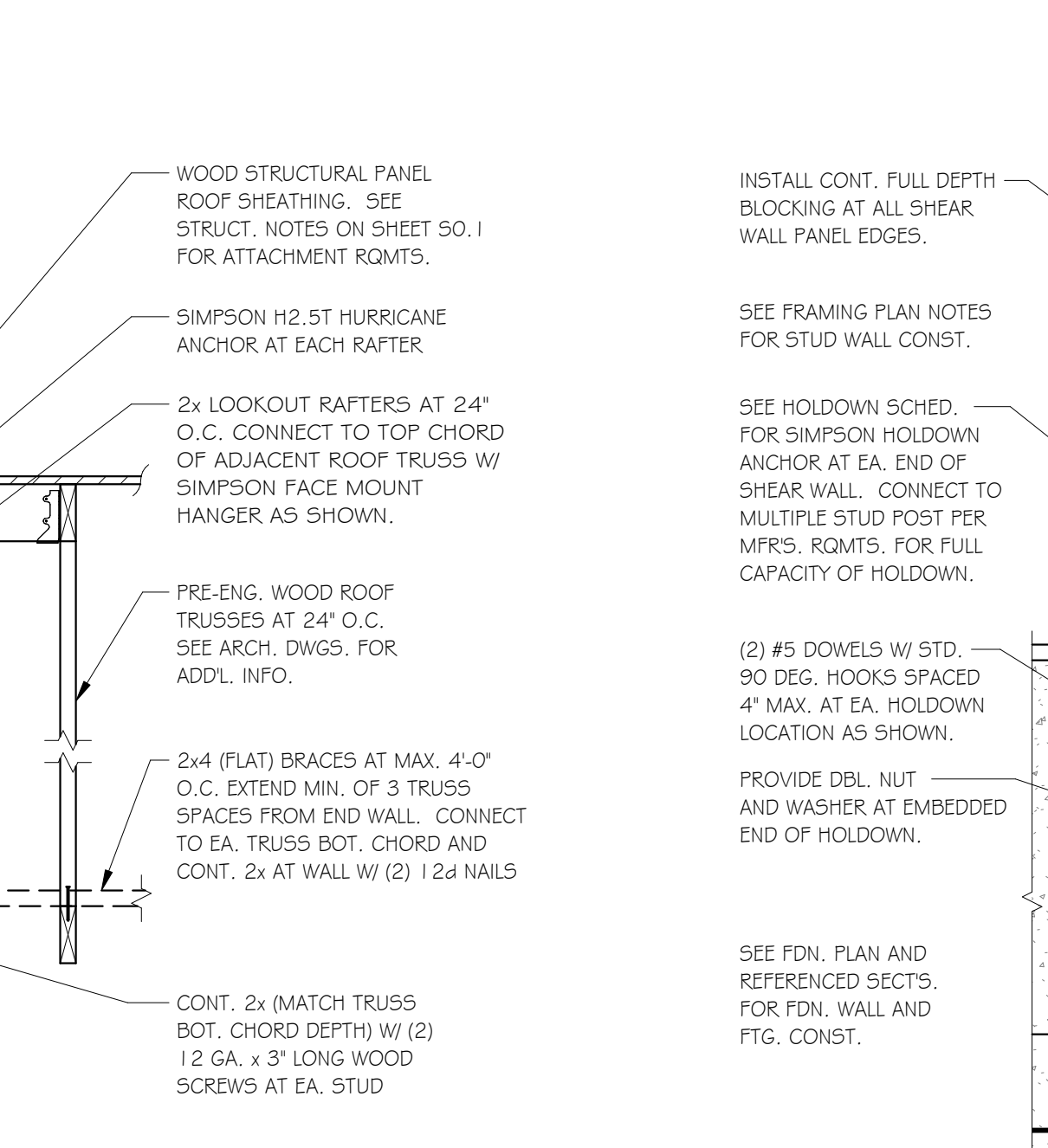
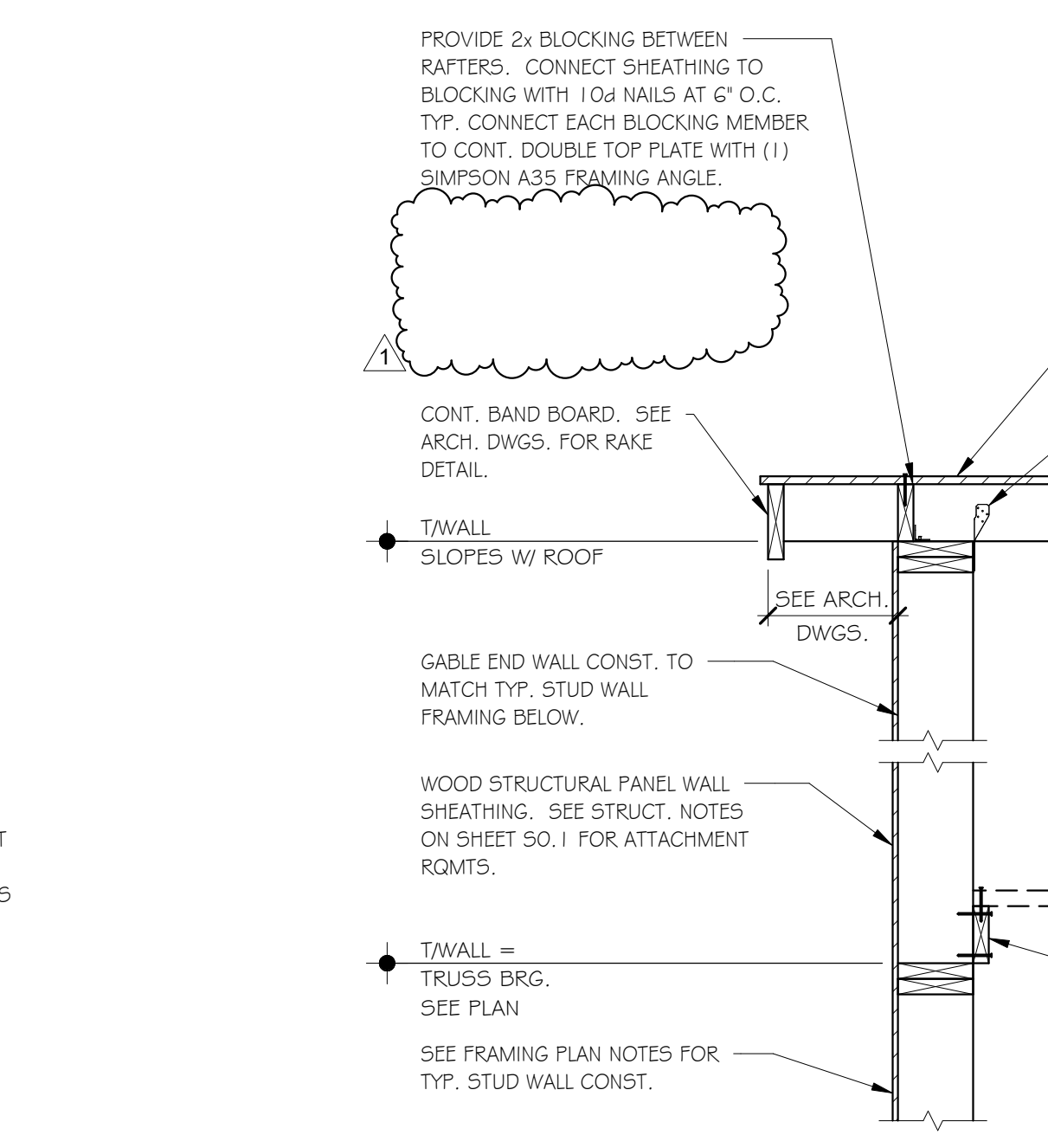
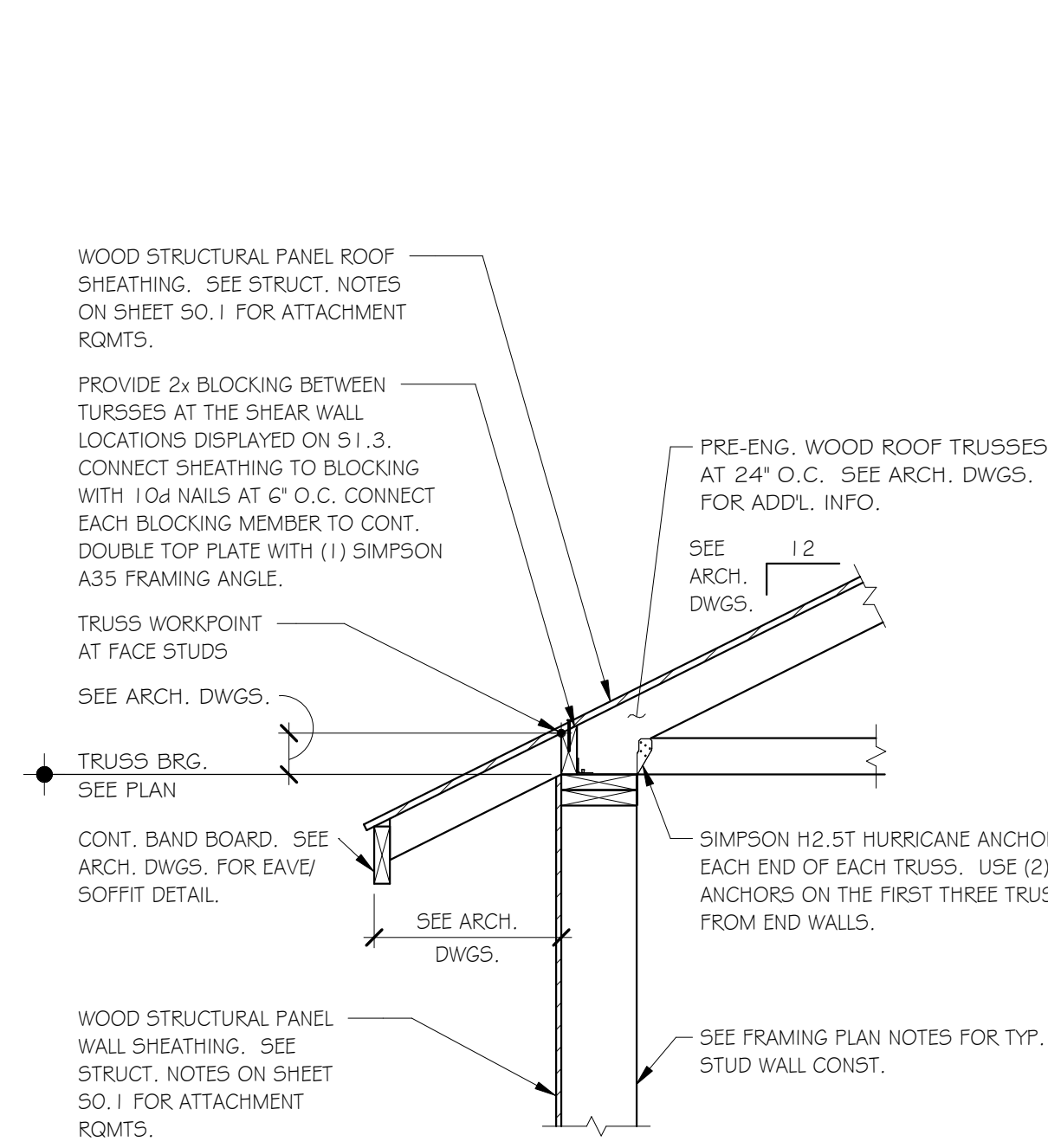
ISSUANCES/REVISIONS	
NO SET	07/12/2023
1	ADDENDUM #01 07/26/2023

PROJECT NUMBER:	DRAWN BY:	CHECKED BY:
22104.00	WH	JMB

SHEET TITLE:  
**FOUNDATION SECTIONS**

SHEET NUMBER:  
**S2.1**





ISSUANCES/REVISIONS

NO.	DESCRIPTION	DATE
1	ADDENDUM #01	07/26/2023

PROJECT INFORMATION

PROJECT NUMBER	DRAWN BY	CHECKED BY
22104.00	WH	JMB

SHEET TITLE: FRAMING SECTIONS  
SHEET NUMBER: S3.1